

## Introducing Industrial Ethernet IP20 Field Installable RJ45 Modular Plug

 **Tyco Electronics**  
Our commitment. Your advantage.

# Industrial Ethernet IP20 Field Installable RJ45 Modular Plug

## KEY FEATURES

- Tool-less IDC termination
- Metallic locking tab
- Rigid plastic case
- For use on stranded and solid wire
- Shielded
- Mates with standard RJ45 modular jacks
- Accepts cable diameters between 6.3 and 6.7mm
- Easy to assemble. Only 3 parts.
- 22 AWG solid and stranded wire – 4 position
- 26 AWG stranded wire – 8 position

## DESCRIPTION

The Category 5e IP20 field installable RJ45 modular plug is designed for use in industrial applications. The metallic locking tab and rigid plastic case make it ideal for use in harsh environments. The 4 position version is capable of data transmission rates of 10/100 Mb/s and the 8 position version is capable of 1000 Mb/s. The tool-less IDC contact design makes it easy to terminate in the field.

## APPLICATIONS

Industrial field installation of an RJ45 plug

## ELECTRICAL

Category 5e performance

Rated Voltage – 24V DC

Rated Current – 500mA per pin

Compliant to IEC 60603-7-1

## MECHANICAL

Durability – 750 cycles

Cable Retention Force

- 180° – 98N
- 90° – 78.4N

Temperature Rating – -40°C to 70°C unless limited by cable

Vibration – Tested in accordance with EIA364-28

- 5g Peak

Physical Shock – Tested in accordance with EIA 364-27

- 50g Peak

## MATERIALS

Case Housing – Polycarbonate

Terminal Housing – Nylon UL 94V-0 rated

Terminal Contact – Nickel underplated, copper alloy with gold plating

Shell – Copper Alloy with nickel plating

Locking tab – Stainless Steel

## STANDARDS AND SPECIFICATIONS

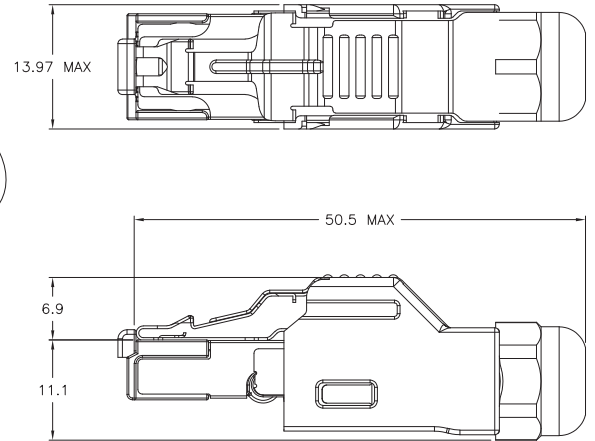
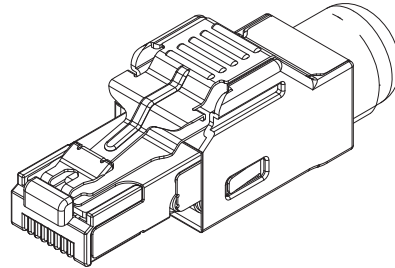
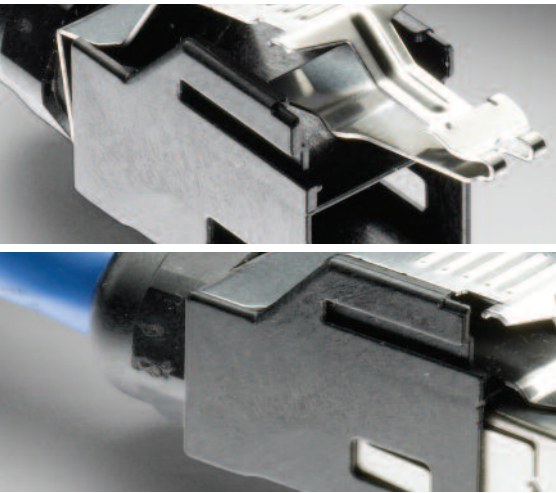
Product Specification – 108-78381

Application Specification – 114-5402

Compliant to IEC 60603-7-1

# Industrial Ethernet IP20 Field Installable RJ45 Modular Plug

## PRODUCT DIMENSIONS



## PRODUCT OFFERING

PN 1903526-1  
• 4 position connector

PN 1903527-1  
• 8 position connector

Custom length cable assemblies upon request

## ACCESSORIES

Cable  
• PN 1939707-1  
• PN 1981897-1  
• PN 1939708-1

Cable Stripper  
• PN 1981944-1

Unmanaged Industrial Ethernet  
Switches

- PN 1987033-1
- PN 1987033-2
- PN 1987031-1
- PN 1987031-2
- PN 1987032-1
- PN 1987032-2
- PN 1987155-1
- PN 1987155-2
- PN 1987195-1
- PN 3-1987195-3

Media Converter  
• PN 1987152-1

Device Server  
• PN 1987150-1

## APPLICATION TOOLING

No tooling necessary.

Industrial Ethernet IP20 Field Installable RJ45 Modular Plug | Tyco Electronics

## FOR MORE INFORMATION

### Technical Support

Internet: [www.tycoelectronics.com](http://www.tycoelectronics.com)  
E-mail: [newproducts@tycoelectronics.com](mailto:newproducts@tycoelectronics.com)  
USA: 1-800-522-6752  
Canada: 1-905-470-4425  
Mexico: 1-800-733-8926  
C. America: 52-55-1106-0803  
South America: 55-11-2103-6000  
Hong Kong: 852-2735-1628  
Japan: 81-44-844-8013  
UK: 44-8706-080208

**Tyco Electronics Corporation**  
Harrisburg, PA

**[tycoelectronics.com](http://tycoelectronics.com)**

Copyright 2007 By Tyco Electronics Corporation  
1-1773449-7-5K-MS/FP 1-08  
TE Logo and Tyco Electronics are trademarks.

 **Tyco Electronics**  
Our commitment. Your advantage.