

**IE-FCM-RJ45-FJ-B**

**Weidmüller Interface GmbH & Co. KG**  
 Klingenbergstraße 16  
 D-32758 Detmold  
 Germany  
 Fon: +49 5231 14-0  
 Fax: +49 5231 14-2083  
 www.weidmueller.com



Weidmüller's FrontCom®-Micro is your best choice when you require IP65 connections at the electrical cabinet, control panel or distribution box.

- with @ technology up to 10 Gbit/s
- Versatile with multiple inserts: RJ45 and USB
- Simple assembly by means of central screw coupling

**General ordering data**

Order No.	<a href="#">1018820000</a>
Part designation	IE-FCM-RJ45-FJ-B
Version	FrontCom Micro RJ45 module , TIA-568B
EAN	4032248730070
Qty.	10 pc(s).

**IE-FCM-RJ45-FJ-B**

**Weidmüller Interface GmbH & Co. KG**  
 Klingenbergstraße 16  
 D-32758 Detmold  
 Germany  
 Fon: +49 5231 14-0  
 Fax: +49 5231 14-2083  
 www.weidmueller.com

**Technical data**

**temperature**

Ambient temperature (operational) -40°C - +70°C

**Connection elements**

Connection 1	RJ45	Connection 2	IDC
Housing main material	PA UL 94 V0	Colour	black
Type of mounting	Cabinet Distribution box	Category	Cat.6A / Class E <sub>A</sub> (IEC 11801 PDAM Am 1.2 2007)
Shielding	360° shield contact	Wiring	TIA-568B
Solid, min.	0.4 mm	Solid, max.	0.64 mm
Strand diameter, flexible, min. (AWG)	AWG 26	Strand diameter, flexible, max. (AWG)	AWG 22
Insulation cross-section, max.	1.6 mm	Sheath diameter , min.	5.5 mm
Sheath diameter , max.	10 mm	Plugging cycles	750 plugging cycles for plugs to IEC 60603-7

**Technical data**

Colour black

**Approvals**

Approvals institutes CULUS

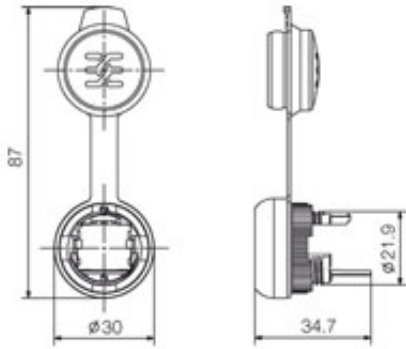
**Classifications**

eClass 5.1 27-25-05-04 eClass 6.0 27-25-05-04

IE-FCM-RJ45-FJ-B

Weidmüller Interface GmbH & Co. KG  
Klingenbergstraße 16  
D-32758 Detmold  
Germany  
Fon: +49 5231 14-0  
Fax: +49 5231 14-2083  
www.weidmueller.com

Drawings



**IE-FCM-RJ45-FJ-B**

**Weidmüller Interface GmbH & Co. KG**  
 Klingenbergstraße 16  
 D-32758 Detmold  
 Germany  
 Fon: +49 5231 14-0  
 Fax: +49 5231 14-2083  
 www.weidmueller.com

**Accessories**

**IE fastening tool**



The mounting tool helps you to tighten the locknut when mounting the flange of version 04.

Comments:

- Standard tool
- made from tough plastic

**General ordering data**

Order No.	Part designation	Version	EAN	Qty.
<a href="#">9204370000</a>	IE-FISP-V4	Screwing tool	4032248660780	2 pc(s).