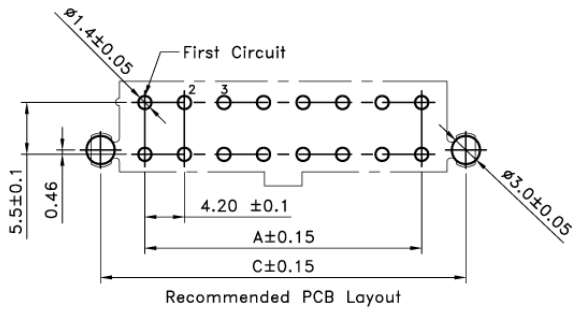
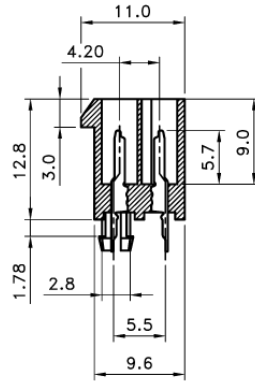
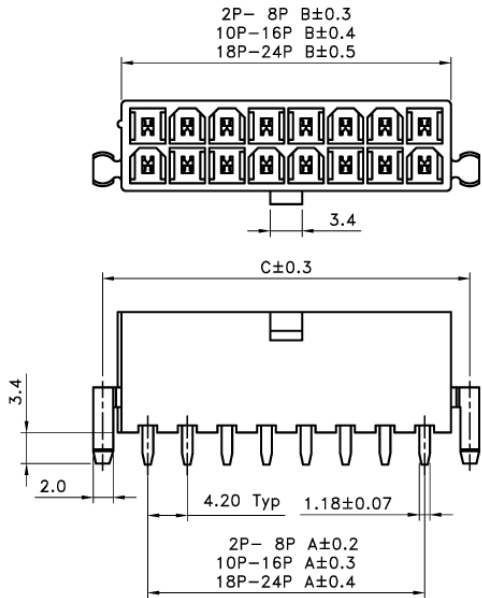


This document is the property of Amphenol Corporation and is delivered on the express condition that it is not to be disclosed, reproduced or used, in whole or in part, for the manufacture or sale by anyone other than Amphenol Corporation without its prior consent, and that no right is granted to disclose or to use any information in this document.



### SPECIFICATIONS

Voltage rating : 250V AC/DC  
Current rating : 7A AC/DC  
Withstanding voltage : 1500V AC/minute  
Contact resistance : 20mΩ max  
Temperature range : -40°C to +105°C  
Insulation resistance : 1000MΩ min  
MATERIAL  
Insulator : Nylon66 (UL94V-2)  
Insulator color : Transparnt White  
Contact : Brass  
Plating : Tin Plated

Poles	Dimensions(mm)		
	A	B	C
2	---	5.60	9.40
4	4.20	9.80	13.60
6	8.40	14.00	17.80
8	12.60	18.20	22.00
10	16.80	22.40	26.20
12	21.00	26.60	30.40
14	25.20	30.80	34.60
16	29.40	35.00	38.80
18	33.60	39.20	43.00
20	37.80	43.40	47.20
22	42.00	47.60	51.40
24	46.20	51.80	55.60

TOLERANCE (mm)	APPROVALS	DATE	TITLE	AMPHENOL Amphenol European Design Center	
X. ±0.3	DRAWN Stephane	05/Jan/2007	4.2 Power Wafer Straight Dip w/Pegs	Scale N.A.	Sheet 1 of 1
XX ±0.2	CHECKED Rob	05/Jan/2007			
XXX ±0.15	APPROVED Rob	05/Jan/2007			
UNLESS OTHERWISE SPECIFIED	UNIT : mm		SIZE : A4	DRAWING N° MF42-SP-XX	REV. A