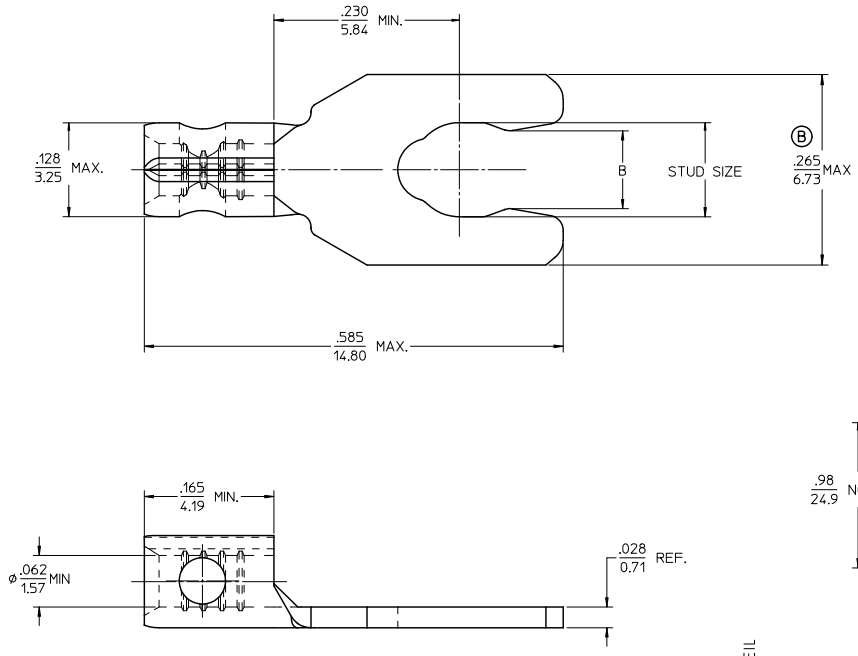


MATERIAL NO.	ENGINEERING NO.	STUD SIZE	STUD ± .005	DIMENSION B	DESCRIPTION
190980017	AA-1704-05	5	.127/3.23	.105/2.67	LOOSE PIECE
190980018	AA-1704-06	6	.146/3.71	.114/2.90	LOOSE PIECE
190980077	AA-1704-05T	5	.127/3.23	.105/2.67	TAPED REEL
190980019	AA-1704-06T	6	.146/3.71	.114/2.90	TAPED REEL



NOTES:  
 1. MATERIAL: COPPER .028/0.71 THICK  
 2. PLATING: ELECTRO-TIN  
 3. PART IS RoHS COMPLIANT

WIDTH TOLERANCE EC NO: WNA2010-0646 DRAWN BY: J.J. CHKD: J. MACNEIL APPR: J. MACNEIL	QUALITY SYMBOLS ▽=1 ▽=2	GENERAL TOLERANCES (UNLESS SPECIFIED)		DIMENSION STYLE	SCALE	DESIGN UNITS	THIRD ANGLE PROJECTION
		4 PLACES ± --- ± ---	3 PLACES ± --- ± .005	IN/MM	10:1	INCH	
		2 PLACES ± 0.13 ± .01	1 PLACE ± 0.25 ± ---	DRAWN BY	DATE	TITLE	
		ANGULAR ± 1/2°		JJ	1984/10/17	SNAP SPADE TONGUE TERMINAL, 22-18 AWG	
		DRAFT WHERE APPLICABLE MUST REMAIN WITHIN DIMENSIONS		CHECKED BY	DATE	MATERIAL NO. DOCUMENT NO. SHEET NO.	
				GZ	1984/10/18	SD-19098-007 1 OF 1	
				APPROVED BY	DATE	MOLEX INCORPORATED	
				---	---	THIS DRAWING CONTAINS INFORMATION THAT IS PROPRIETARY TO MOLEX INCORPORATED AND SHOULD NOT BE USED WITHOUT WRITTEN PERMISSION	