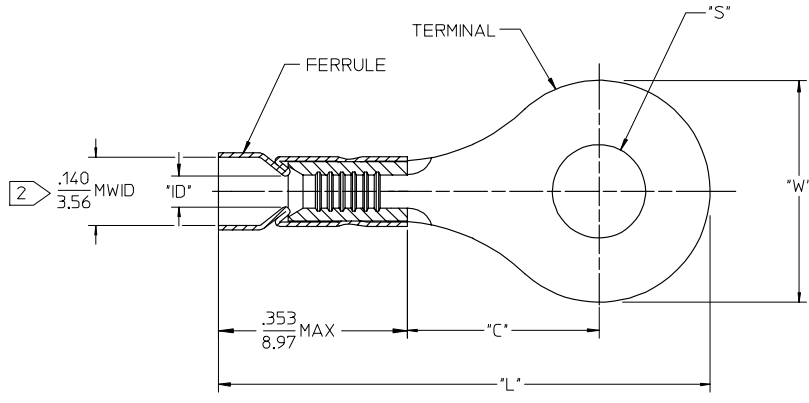


19072

MATERIAL NUMBER	ENGINEERING NUMBER	STUD SIZE	"S" ±.005/±0.13	STOCK THICKNESS REF	"W" ±.010/0.25	"C" MIN	"L" MAX	"ID" MIN
190720019	AA-422-10	10	.198/3.02	.028/0.71	.467/11.86	.386/9.81	1.008/25.60	.062/1.57
190720021	AA-422-14	14	.265/6.73					
190720023	AA-422-56	56	.328/8.33					
190720032	AA-432-04	04	.119/3.02		.254/6.45	.240/6.10	.755/19.18	
190720034	AA-432-06	06	.146/3.71					
190720036	AA-432-08	08	.173/4.39					



NOTES:  
 1. MATERIAL: TERMINAL: COPPER  
 FUNNEL FERRULE: BRASS  
 PLATING: ELECTRO TIN.

2. MWID = MAXIMUM WIRE INSULATION.

SALES DRAWING

WAS A PART OF AA-CD-401-01 EC NO: ETC2005-0035 DRW/BENDERLE/2004/08/18 CHK/CH/DEROSS/2004/08/18 APPR/DEROSS/2004/08/18	QUALITY SYMBOLS	GENERAL TOLERANCES (UNLESS SPECIFIED)	SCALE NONE	DESIGN UNITS INCH	THIRD ANGLE PROJECTION	REVISE ON CAD ONLY															
	0 0	<table border="1"> <tr> <th></th> <th>mm</th> <th>INCH</th> </tr> <tr> <td>4 PLACES</td> <td>± .---</td> <td>± .---</td> </tr> <tr> <td>3 PLACES</td> <td>± .---</td> <td>± .---</td> </tr> <tr> <td>2 PLACES</td> <td>± .---</td> <td>± .---</td> </tr> <tr> <td>1 PLACE</td> <td>± .---</td> <td>± .---</td> </tr> </table>		mm	INCH	4 PLACES	± .---	± .---	3 PLACES	± .---	± .---	2 PLACES	± .---	± .---	1 PLACE	± .---	± .---	DIMENSION STYLE IN/MM DRAWN BY BENDERLE DATE 2004/08/18 CHECKED BY R DEROSS DATE 2004/08/18 APPROVED BY R DEROSS DATE 2004/08/18	TITLE RING TONGUE TERMINAL VIBRAKIMP 22-18 AWG MOLEX INCORPORATED		
			mm	INCH																	
		4 PLACES	± .---	± .---																	
3 PLACES	± .---	± .---																			
2 PLACES	± .---	± .---																			
1 PLACE	± .---	± .---																			
DRAFT WHERE APPLICABLE MUST REMAIN WITHIN DIMENSIONS		MATERIAL NO. SEE CHART DOCUMENT NO. SD-19072-002 SHEET NO. 1 OF 1		THIS DRAWING CONTAINS INFORMATION THAT IS PROPRIETARY TO MOLEX INCORPORATED AND SHOULD NOT BE USED WITHOUT WRITTEN PERMISSION																	