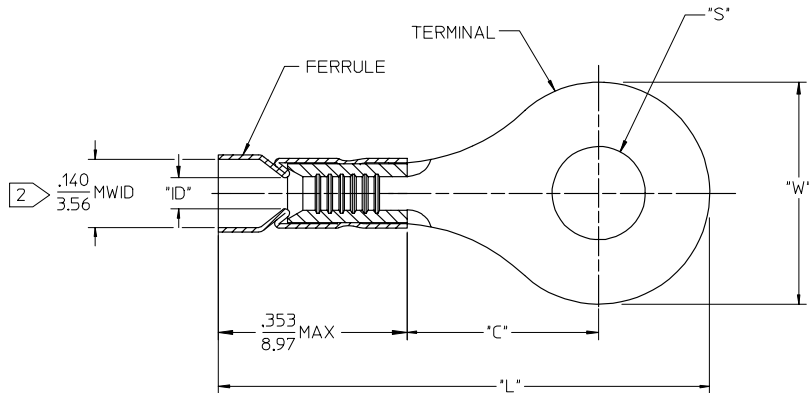


19072

MATERIAL NUMBER	ENGINEERING NUMBER	MILITARY NUMBER	STUD SIZE	"S" ±.005/±0.13	STOCK THICKNESS REF	"W" ±.010/0.25	"C" MIN	"L" MAX	"ID" MIN
190720006	AA-420-02	---	02	.094/2.39	.028/0.71	.225/5.72	.157/3.99	.657/16.69	.062/1.57
190720008	AA-420-04	MS-20659-138	04	.119/3.02					
190720010	AA-420-06	MS-20659-101	06	.146/3.71					
190720012	AA-421-06	---	08	.173/4.39		.312/7.93	.270/6.86	.814/20.68	.062/1.57
190720014	AA-421-08	---							
190720016	AA-421-10	MS-20659-102	10	.198/5.03					
190720018	AA-421-209	---	209	.209/5.30	.031/0.79	.534/13.56	.552/14.02	1.207/30.60	.054/1.37
190720025	AA-426-10	---	10	.198/5.03					
190720026	AA-426-14	---	14	.265/6.73					
190720030	AA-426-56	MS-20659-161	56	.328/8.33					
190720028	AA-426-38	MS-20659-125	38	.390/9.91					



NOTES:
 1. MATERIAL: TERMINAL: COPPER
 FUNNEL FERRULE: BRASS
 PLATING: ELECTRO TIN.

2. MWID = MAXIMUM WIRE INSULATION.

SALES DRAWING

WAS A PART OF AA-CD-401-01 EC NO: ETC2005-0035 DRW/BENDERLE/2004/08/18 CHK/CHR DEROSS/2004/08/18 APPR/DEROSS/2004/08/18	QUALITY SYMBOLS	GENERAL TOLERANCES (UNLESS SPECIFIED)	SCALE NONE	DESIGN UNITS INCH	THIRD ANGLE PROJECTION	REVISE ON CAD ONLY															
	0 0	<table border="1"> <tr> <th></th> <th>mm</th> <th>INCH</th> </tr> <tr> <td>4 PLACES</td> <td>± .---</td> <td>± .---</td> </tr> <tr> <td>3 PLACES</td> <td>± .---</td> <td>± .---</td> </tr> <tr> <td>2 PLACES</td> <td>± .---</td> <td>± .---</td> </tr> <tr> <td>1 PLACE</td> <td>± .---</td> <td>± .---</td> </tr> </table>		mm	INCH	4 PLACES	± .---	± .---	3 PLACES	± .---	± .---	2 PLACES	± .---	± .---	1 PLACE	± .---	± .---	DIMENSION STYLE IN/MM DRAWN BY BENDERLE DATE 2004/08/18 CHECKED BY R DEROSS DATE 2004/08/18 APPROVED BY R DEROSS DATE 2004/08/18	TITLE RING TONGUE TERMINAL VIBRAKRIMP 22-18 AWG MOLEX INCORPORATED		
			mm	INCH																	
		4 PLACES	± .---	± .---																	
3 PLACES	± .---	± .---																			
2 PLACES	± .---	± .---																			
1 PLACE	± .---	± .---																			
DRAFT WHERE APPLICABLE MUST REMAIN WITHIN DIMENSIONS			MATERIAL NO. SEE CHART DOCUMENT NO. SD-19072-001 SHEET NO. 1 OF 1																		
THIS DRAWING CONTAINS INFORMATION THAT IS PROPRIETARY TO MOLEX INCORPORATED AND SHOULD NOT BE USED WITHOUT WRITTEN PERMISSION																					

tb_frame_B rev. B1 2000/08/01