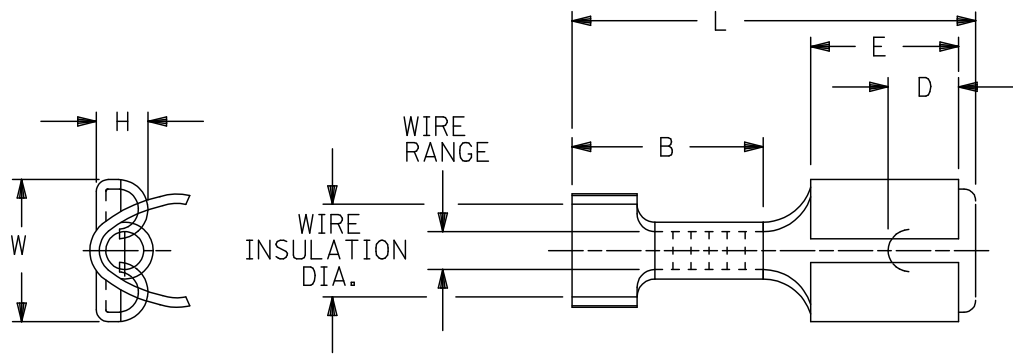


DRWG. NO. CD-51002



MATERIAL: BRASS

"VIBRAKRIMP"
 CLOSED ELECTRICAL BARREL W/OPEN VIBRATION SUPPORT
 LOOSE PIECE QUICK DISCONNECTS

NON-PLATED PART NUMBER	TIN-PLATED PART NUMBER	AWG WIRE RANGE	FITS MALE TAB SIZE	STOCK THICK.	"L" MAX.	"B" ± 1/64	"W" ± 1/64	"D" ±.01	"H" ± 1/64	"E" ± 1/64	REF. WIRE INSULATION DIAMETER
	AA-4176	22-18	.250x.032	.016	.802	2/64	.301	.156	7/64	.310	.060/.125
	BB-4177	16-14	.250x.032	.016	.802	2/64	.301	.156	7/64	.310	.085/.145
	P-4178	14-12	.250x.032	.016	.802	2/64	.301	.156	7/64	.310	.100/.175

REVISE ONLY ON CAD SYSTEM		CUSTOMER DRAWING	DRWG. BY EMF	molex ETC INC. PINELLAS PARK, FLA. 34665 U.S.A.	SHEET NO.	DATE 01/10/95
TITLE VIBRAKRIMP - LOOSE .250 TAB- QUICK DISCONNECT CLOSED ELEC./OPEN VIB. SUP'T.			CHK'D. BY JM		PART NO. SEE TABLE	DRWG. NO. CD-51002
			APP'D. BY RWD	FILE NAME CD51002	THIS DRAWING CONTAINS INFORMATION THAT IS PROPRIETARY TO MOLEX-ETC INC. AND SHOULD NOT BE USED WITHOUT WRITTEN PERMISSION.	
			SCALE NO:NE		DIV.	SIZE A