

4

3

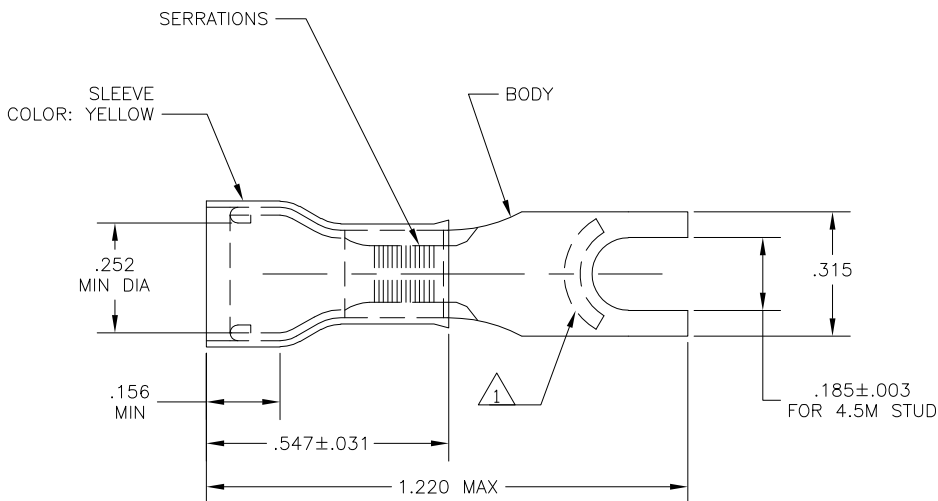
2

1

THIS DRAWING IS UNPUBLISHED. RELEASED FOR PUBLICATION
 © COPYRIGHT - BY TYCO ELECTRONICS CORPORATION. ALL RIGHTS RESERVED.

LOC	DIST	REVISIONS				
P	LTR	DESCRIPTION	DATE	DWN	APVD	
G	14	A	DRAWN	-	-	

- 1 STAMP "AMP 12-10*", LOCATION APPROX AS SHOWN.
- 2 TONGUE THICKNESS IS .039±.002



REEL, ON TAPE	2-165015-1
LOOSE PIECE	165015
PACKAGE TYPE	PART NO

THIS DRAWING IS A CONTROLLED DOCUMENT.		DWN	20FEB06	Tyco Electronics Corporation Harrisburg, PA 17105-3608													
DIMENSIONS:		CHK	20FEB06														
INCHES		T	MICHELUTTI														
<table border="1"> <thead> <tr> <th colspan="2">TOLERANCES UNLESS OTHERWISE SPECIFIED:</th> </tr> </thead> <tbody> <tr> <td>0 PLC</td> <td>± -</td> </tr> <tr> <td>1 PLC</td> <td>± -</td> </tr> <tr> <td>2 PLC</td> <td>± -</td> </tr> <tr> <td>3 PLC</td> <td>± .008</td> </tr> <tr> <td>4 PLC</td> <td>± -</td> </tr> <tr> <td>ANGLES</td> <td>± 5'</td> </tr> </tbody> </table>		TOLERANCES UNLESS OTHERWISE SPECIFIED:			0 PLC	± -	1 PLC	± -	2 PLC	± -	3 PLC	± .008	4 PLC	± -	ANGLES	± 5'	APVD
TOLERANCES UNLESS OTHERWISE SPECIFIED:																	
0 PLC	± -																
1 PLC	± -																
2 PLC	± -																
3 PLC	± .008																
4 PLC	± -																
ANGLES	± 5'																
MATERIAL		NAME		RESTRICTED TO													
FINISH		PRODUCT SPEC		SIZE													
		APPLICATION SPEC		CAGE CODE													
		WEIGHT		DRAWING NO													
		CUSTOMER DRAWING		SCALE													
				SHEET													
				1 OF 1													
				REV													
				A													