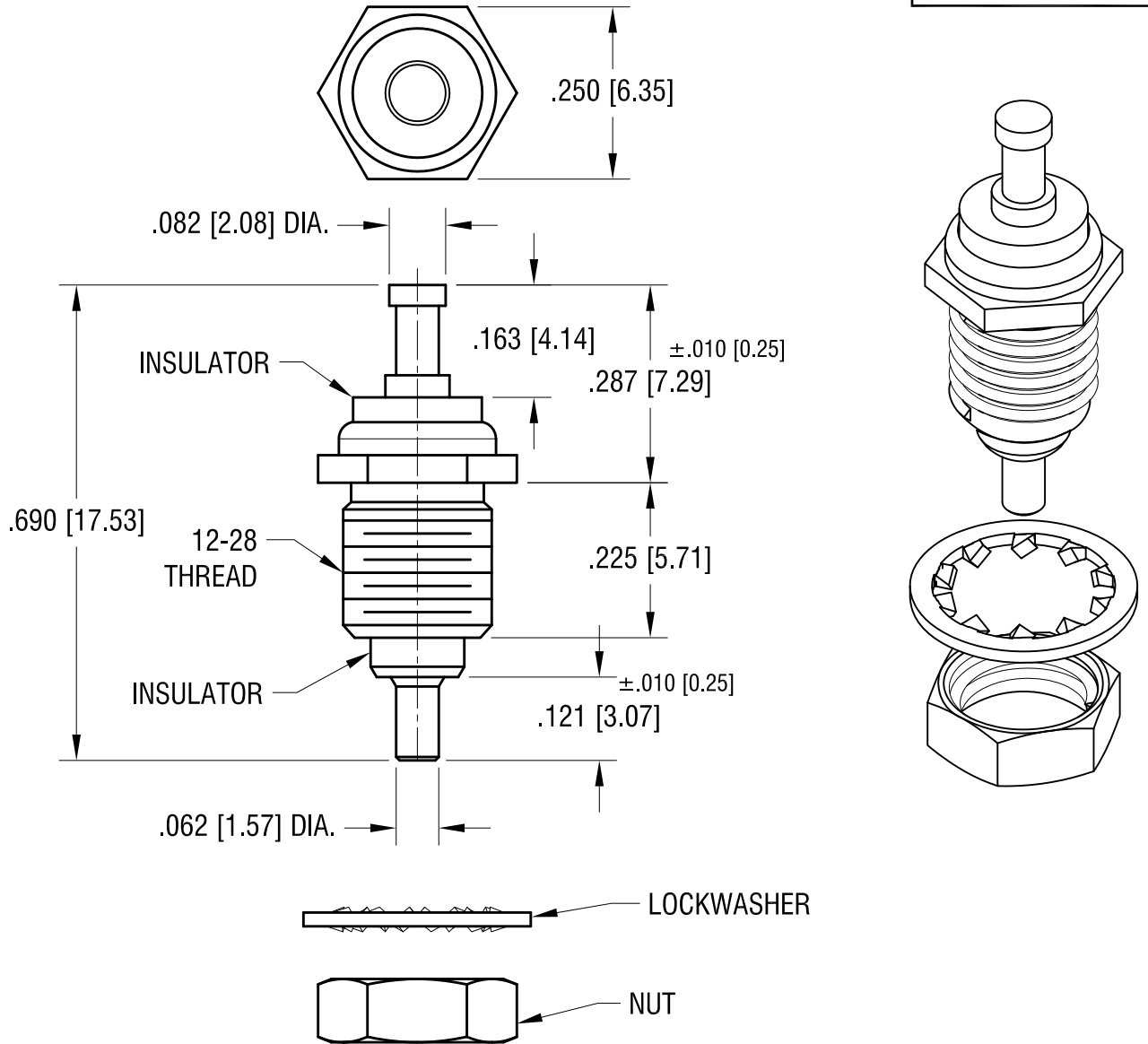


THIS DOCUMENT IS THE PROPERTY OF
KEYSTONE ELECTRONICS CORP. AND
SHALL NOT BE REPRODUCED, DISTRIBUTED
OR USED AS A BASIS FOR MANUFACTURE
WITHOUT PRIOR WRITTEN PERMISSION
FROM KEYSTONE ELECTRONICS CORP.



NOTES:

1. PIN: MAT'L - BRASS, MATTE TIN PLATE
2. BUSHING: MAT'L - PTFE (TEFLON)
COLOR: WHITE
3. BODY: MAT'L - BRASS, NICKEL PLATE
4. WASHER: MAT'L - PHOSPHOR BRONZE
NICKEL PLATE
5. NUT: MAT'L - BRASS, NICKEL PLATE

10.7.09	CHANGE AS PER ECN 09-143	B
5.08.08	CHANGE AS PER ECN 08-106	A
DATE	DESCRIPTION	REV.

KEYSTONE ELECTRONICS CORP.			
www.keyelco.com • ASTORIA, N.Y. 11105-2017 • Tel (718) 956-8900			
PART NAME THREADED FEED-THRU TERMINAL			
MATERIAL AS NOTED			
FINISH AS NOTED		DRN BY NT	DATE 2.22.08
		APP'D	SCALE 4X
TOLERANCES DECIMAL ANGULAR ± 1° UNLESS OTHERWISE SPECIFIED	INCH [MM] ± .005 [± 0.15]	CODE C	DWG NO. 11362