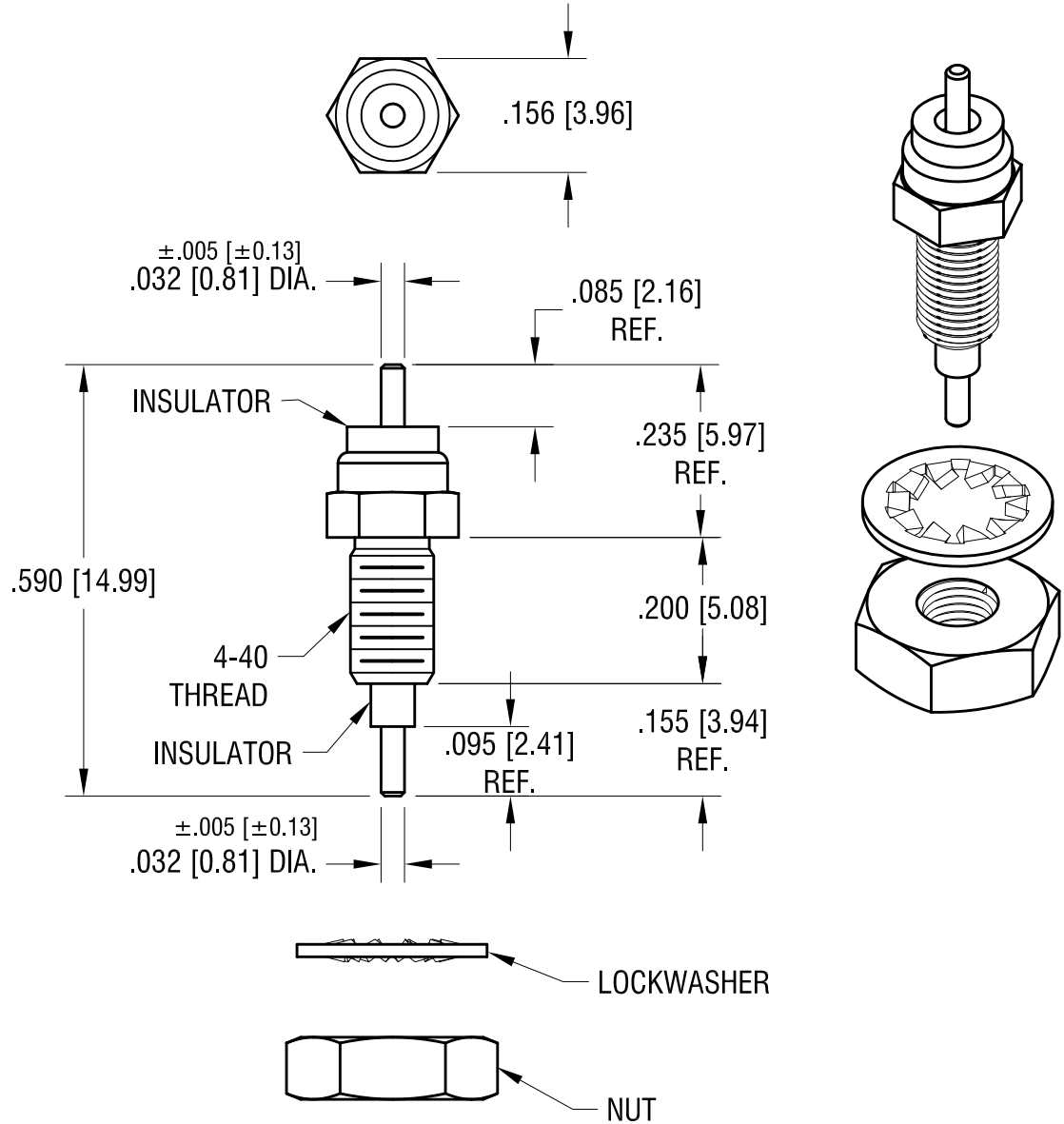


THIS DOCUMENT IS THE PROPERTY OF
KEYSTONE ELECTRONICS CORP. AND
SHALL NOT BE REPRODUCED, DISTRIBUTED
OR USED AS A BASIS FOR MANUFACTURE
WITHOUT PRIOR WRITTEN PERMISSION
FROM KEYSTONE ELECTRONICS CORP.



NOTES:

1. PIN: MAT'L - BRASS
FINISH: TIN PLATE
2. BUSHING: MAT'L - PTFE (TEFLON)
COLOR: WHITE
3. BODY: MAT'L - BRASS
FINISH: NICKEL PLATE

KEYSTONE ELECTRONICS CORP.			
ASTORIA, N.Y. 11105-2017			
PART NAME		THREADED FEED-THRU TERMINAL	
MATERIAL		AS NOTED	
FINISH		DRN BY	DATE
AS NOTED		N.T.	5.30.08
		APP'D	SCALE
			4X
TOLERANCES	INCH	[MM]	CODE
DECIMAL	± .010	[± 0.25]	C
ANGULAR	± 1°		
UNLESS OTHERWISE SPECIFIED			DWG NO.
			11360

2.17.11	CHANGE AS PER ECN 11-017	A
DATE	DESCRIPTION	REV.