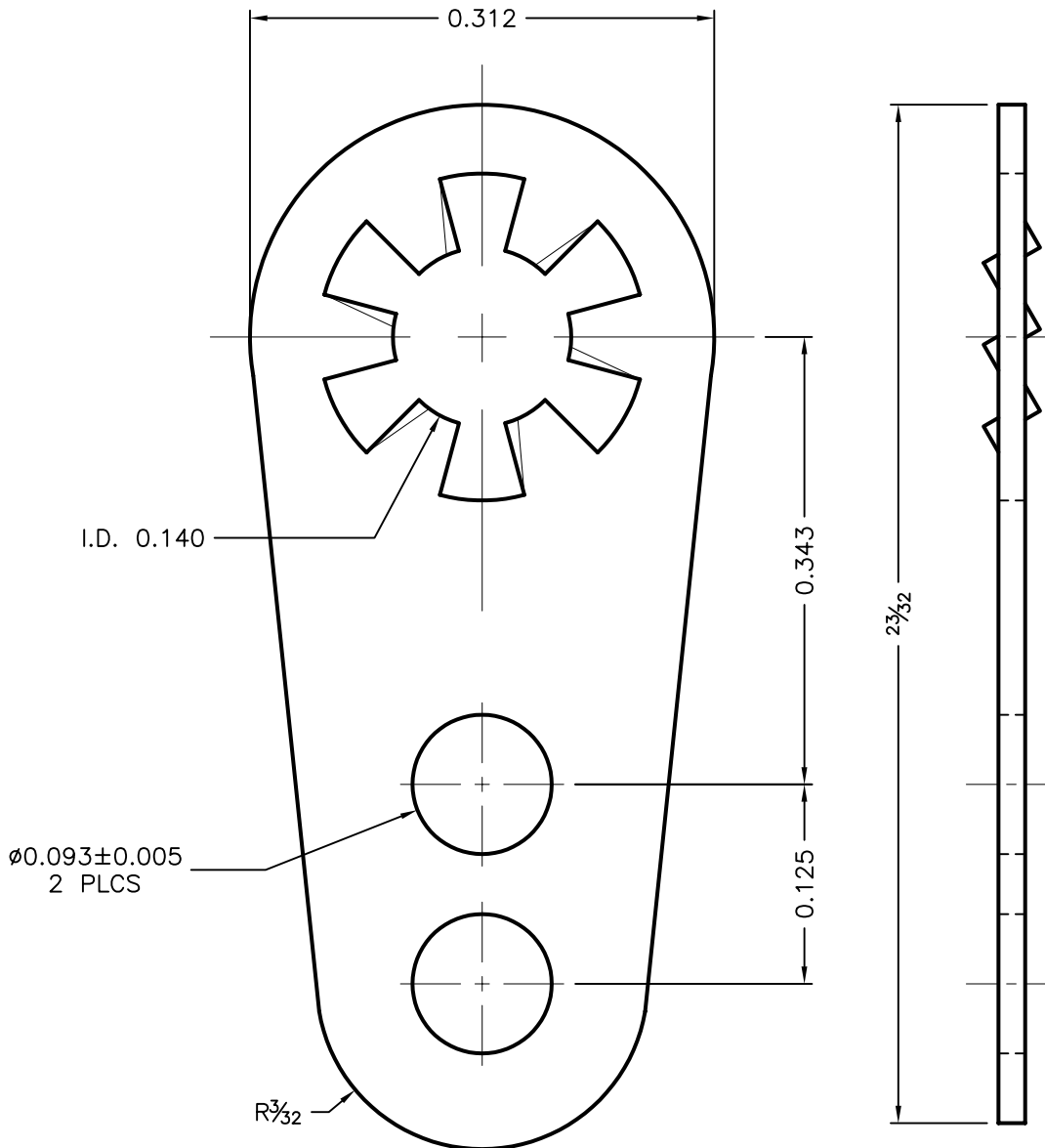


REVISIONS			DOC. NO. SPC-F004 * Effective: 7/8/02 * DCP No: 1398						
DCP #	REV	DESCRIPTION	DRAWN	DATE	CHECKD	DATE	APPRVD	DATE	
1052	A	RELEASED	HYO	12/4/01	JWM	12/4/01	DJC	12/4/01	
1892	B	Update To RoHS Compliant	EO	3/14/06	HO	3/15/06	HO	3/15/06	



Material: 0.018 Thick Brass, Tin Plate

SPC-F004.DWG

TOLERANCES: UNLESS OTHERWISE SPECIFIED, FRACTIONAL ± 0.15 DECIMALS ± 0.005 ANGULAR $\pm 1^\circ$	DRAWN BY: HISHAM ODISH	DATE: 12/4/01	DRAWING TITLE: LOCKWASHER TERMINAL LUG			
	CHECKED BY: JEFF MCVICKER	DATE: 12/4/01	SIZE: A	DWG. NO.: SPC11129	ELECTRONIC FILE: 32C2106.DWG	REV: B
	APPROVED BY: DANIEL CAREY	DATE: 12/4/01	SCALE: NTS		U.O.M.: INCHES	
	SHEET: 1 OF 1					

ALL RIGHTS RESERVED. NO PORTION OF THIS PUBLICATION, WHETHER IN WHOLE OR IN PART CAN BE REPRODUCED WITHOUT THE EXPRESS WRITTEN CONSENT OF SPC TECHNOLOGY. DISCLAIMER: ALL STATEMENTS AND TECHNICAL INFORMATION CONTAINED HEREIN ARE BASED UPON INFORMATION AND/OR TESTS WE BELIEVE TO BE ACCURATE AND RELIABLE. SINCE CONDITIONS OF USE ARE BEYOND OUR CONTROL, THE USER SHALL DETERMINE THE SUITABILITY OF THE PRODUCT FOR THE INTENDED USE AND ASSUME ALL RISK AND LIABILITY WHATSOEVER IN CONNECTION THEREWITH.