



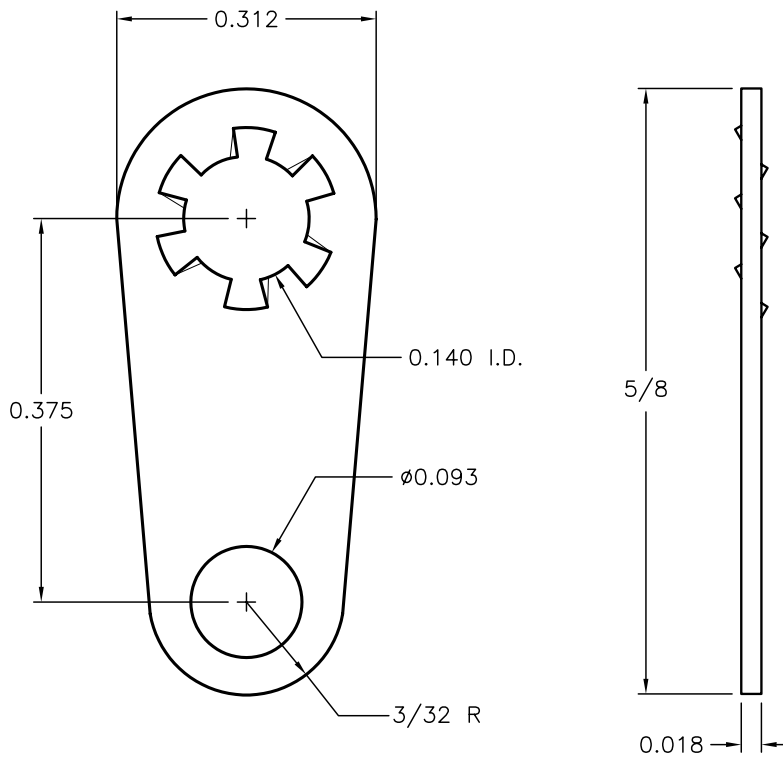
ALL RIGHTS RESERVED. NO PORTION OF THIS PUBLICATION, WHETHER IN WHOLE OR IN PART CAN BE REPRODUCED WITHOUT THE EXPRESS WRITTEN CONSENT OF SPC TECHNOLOGY.

SPC-F005.DWG

REVISIONS

DOC. NO. SPC-F005 \* Effective: 7/8/02 \* DCP No: 1398

DCP #	REV	DESCRIPTION	DRAWN	DATE	CHECKD	DATE	APPRVD	DATE
1052	A	RELEASED	HYO	8/2/02	JWM	2/8/02	DJC	2/12/02
1892	B	Update To RoHS Compliant	EO	3/14/06	HO	3/15/06	HO	3/15/06



NOTES:

1. Material: .018 thick brass
2. Finish: Hot Tin Dip

DISCLAIMER:  
ALL STATEMENTS AND TECHNICAL INFORMATION CONTAINED HEREIN ARE BASED UPON INFORMATION AND/OR TESTS WE BELIEVE TO BE ACCURATE AND RELIABLE. SINCE CONDITIONS OF USE ARE BEYOND OUR CONTROL, THE USER SHALL DETERMINE THE SUITABILITY OF THE PRODUCT FOR THE INTENDED USE AND ASSUME ALL RISK AND LIABILITY WHATSOEVER IN CONNECTION THEREWITH.

TOLERANCES:  
UNLESS OTHERWISE SPECIFIED, DIMENSIONS ARE FOR REFERENCE PURPOSES ONLY.

DRAWN BY:	DATE:
HISHAM ODISH	2/8/02
CHECKED BY:	DATE:
JEFF MCVICKER	2/8/02
APPROVED BY:	DATE:
DANIEL CAREY	2/12/02

DRAWING TITLE: <b>Lockwasher Terminal Lug</b>			
SIZE	DWG. NO.	ELECTRONIC FILE	REV
A	SPC11127	32C2104.DWG	B
SCALE: NTS	U.O.M.: INCHES	SHEET: 1 OF 1	