

THIS DRAWING/DOCUMENT IS THE PROPERTY OF J.S.T. (U.K.) LTD. IT MUST NOT BE COPIED OR USED FOR MANUFACTURE WITHOUT WRITTEN PERMISSION FROM J.S.T. (U.K.) LTD.

1	2	1	3	4
REV.	DESCRIPTION	DATE	DESIGNED	

A

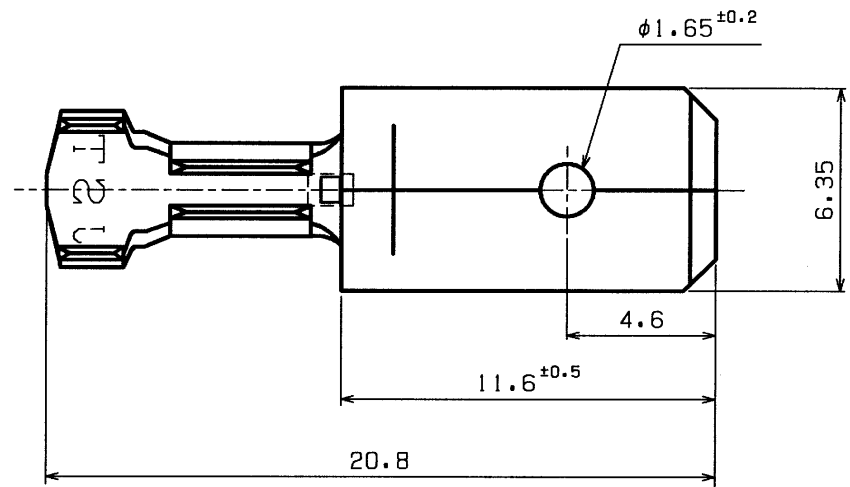
B

C

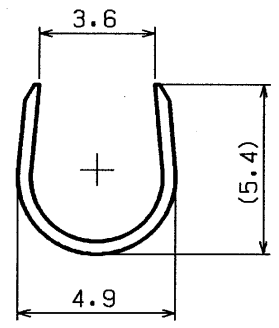
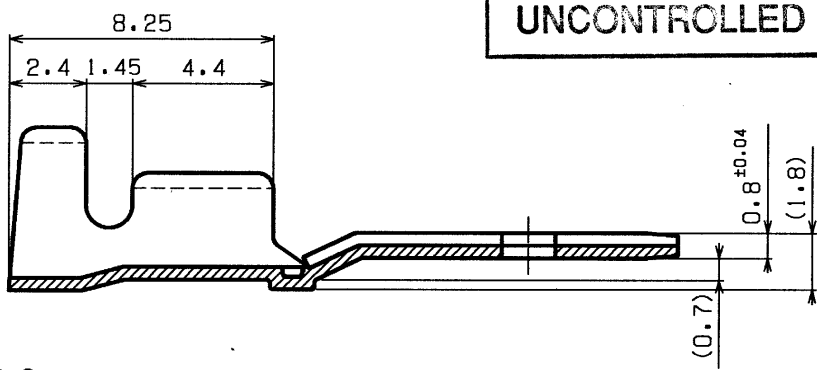
D

E

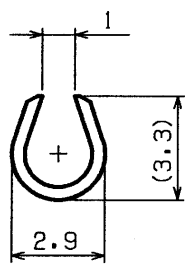
F



UNCONTROLLED ISSUE



INSULATION BARREL



WIRE BARREL

NOTE
1. Unless otherwise specified, tolerances are ± 0.3

J.S.T. Mfg. Co., Ltd.
16 NOV 2001
Engineering Centre in Europe

TERMINAL		BRASS		TIN-PLATED		t0.4	
No.	PART NAME	MATERIAL		SURFACE FINISH		REMARKS	
SIZE	UNIT	SCALE	PROJECTION	DATE	CUSTOMER		
A4	METRIC	5:1		NOV.12.2001	TAB-ON TAB TYPE TERMINAL		
APPROVED	CHECKED	DESIGNED	DRAWN		SERIES NAME	LOM-51 (T) -250	
S.KOYAMA	E.NAKAYAMA	M.ISHIGAMI			PART No.	KRD-2502-2	
JST J.S.T.MFG.CO.,LTD.					DRAWING No.	RD	

THIS DRAWING CONTAINS INFORMATION THAT IS PROPRIETARY TO J.S.T. AND SHOULD NOT BE USED WITHOUT WRITTEN PERMISSION. EC4118-1