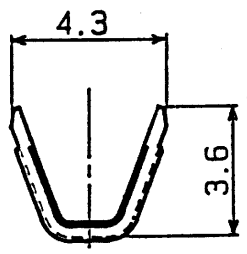
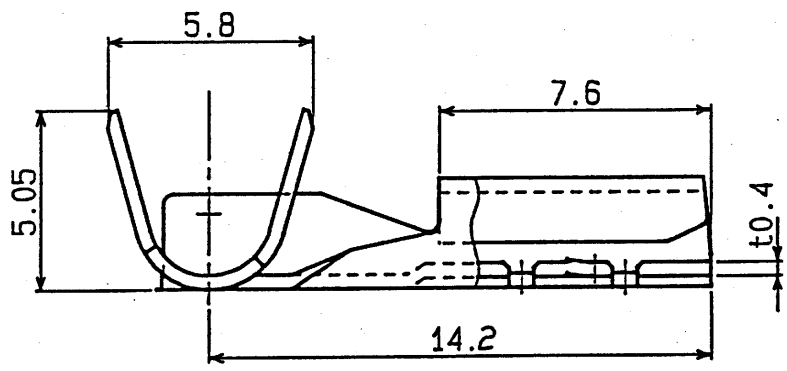
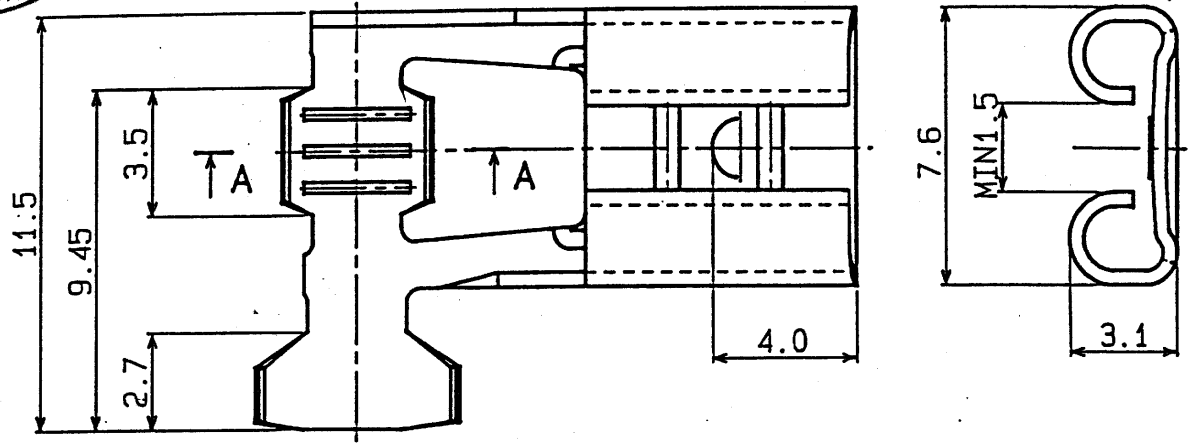


J.S.T. (U.K.) LTD.
 10 MAY 2007
 TECH SALES
 SUPPORT



A-A SEC.

- NOTE
1. Dimensions are in MM.
 2. General tolerances
 - 0 ~ 3.0 : ±0.2
 - 3.1 ~ 9.0 : ±0.3
 - 9.1 ~ : ±0.5

THIS DRAWING / DOCUMENT IS THE
 PROPERTY OF J.S.T. (U.K.) LTD. IT
 MUST NOT BE COPIED OR USED FOR
 MANUFACTURE WITHOUT WRITTEN
 PERMISSION FROM J.S.T. (U.K.) LTD.

UNCONTROLLED ISSUE

REVISIONS					
No.	NAME	MATERIAL	REMARKS		
	TERMINAL	BRASS	TIN-PLATED		
J. S. T.					
APPROVED BY			PART NAME		
CHECKED BY			PART No.		
DRAWN BY			SFO-2, 5T-250N		
SCALE			DRAWING No.		
PROJECTION			KRD- 14423		
DATE			ISSUE		
Dec. 19 1991					
3rd					

THIS DRAWING CONTAINS INFORMATION THAT IS PROPRIETARY TO JST AND SHOULD NOT BE USED WITHOUT WRITTEN PERMISSION.

0691011000N