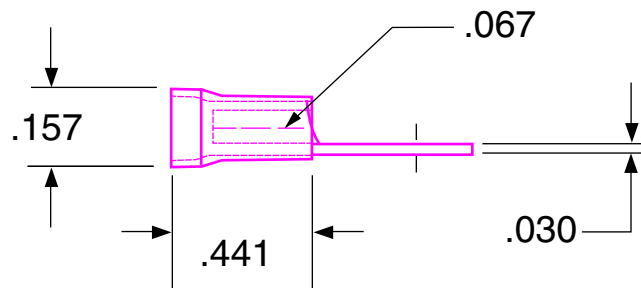
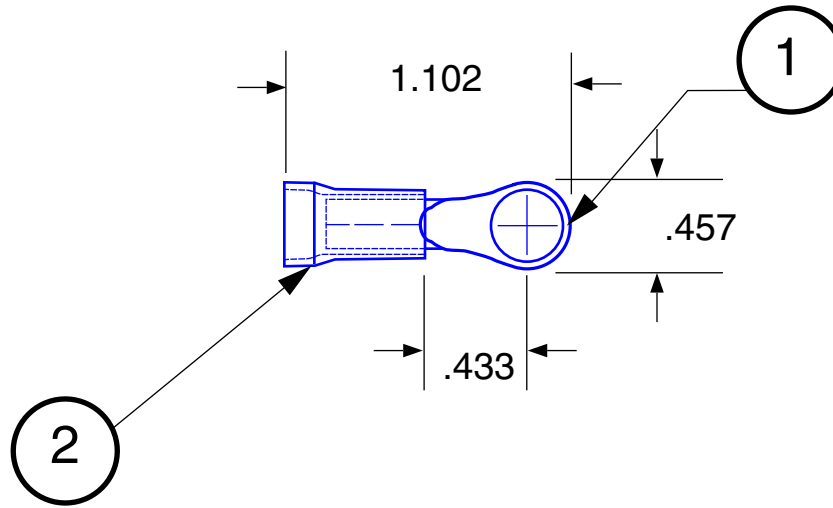


Ring Terminal - insulated
 Part No: FVL2216-6R2

STUD SIZE #1/4

| SYM. | CHANGES | BY | DATE |
|------|---------|----|------|
| | | | |
| | | | |
| | | | |
| | | | |



Max Electric Current: 22-16 AWG : 19 Amp
 Max Electric Rating: 75° C / 600 V Max
 Tolerance ±.020



HOFFMAN PRODUCTS

20700 Hubbell Avenue, Oak Park, MI 48237
 Tel: 1-800-645-2014 • Fax: 1-800-908-1295
 Web: www.hoffmanproducts.com

| NO. | 1 | 2 | 3 |
|--------------|-------------|-----------|---|
| NAME | TERMINAL | INSULATOR | |
| MAT'L. | COPPER | VINYL | |
| REMARKS | TIN-PLATED | RED | |
| APPROVED BY: | CHECKED BY: | DRAWN BY: | |

| | | |
|-----------------------------|--------------------------------|-------|
| DATE: | TITLE: RING TERMINAL | |
| SCALE: FREE | PART NO. FVL2216-6R2 | |
| DRAWING NO. H1513 | PART NAME | ISSUE |

HOFFMAN CADFILE