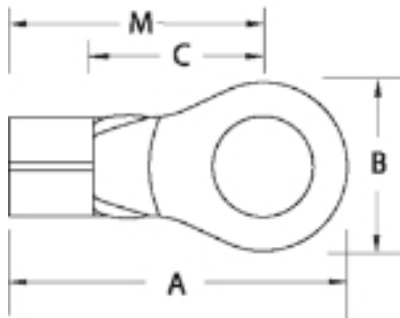




Sta-Kon®

T&B Catalog Number: E6-14
UPC Number: 78621080358
Description: Non-Insulated - Brazed Seam Ring Terminal For Wire Range 6 Stud Size 1/4, Metallic
Status: Active



WEB_USE

-US Cutsheet PDF Catalog Link <http://www-public.tnb.com/contractor/docs/stakon.pdf>

Features

- These non-insulated ring terminals are made of electrolytic copper for high conductivity. They can be installed with crimping tools having a single indenter or double indenter (recommended for solid wire). Serrated barrel increases grip on wire.

General

-Insulation Type	Non-Insulated - Brazed Seam
-Terminal Series	E
-Material	Copper
-Finish	Electro -Tin Plated
-Color	Metallic
-Wire Range	6
-Stud Size	1/4

Dimension Information

-Stock Thickness	.06
-A (inches)	1.13
-B (inches)	.48
-C (inches)	.36
-M (inches)	.90

Specifications

-Temperature Rating	150°C
-Voltage Rating	600V
-Flammability Rating	UL 94 V-0

Tooling

-Tool Charts	Available on Website
-Application Tools	WT115A, TBM6, TBM6S, WT3185
-Recommended Tool	TBM6S

Packaging

-T&B Order Multiple	20
-T&B Inner Pack	20
-Package in Units	100
-Package Type	Standard
-T&B Sold in UOM	Each
-T&B Weight Per UOM	1.58 lbs. per 100
-Alternate Package Qty	E71

Application Support

-Overview	Available on Website
-Wire Guide Tables	Available on Website

Notes

- Not available on Mylar Tape.

Certifications

-RoHS Compliance Yes

Certifications



File Nbr:

E9809

For further technical assistance, please contact us...

Thomas & Betts - USA
8155 T&B Blvd.
Memphis, TN 38125
www.tnb.com

T&B Technical Support
MS 3B-50
8155 T&B Blvd.
Memphis, TN 38125

Hours: 7AM - 6PM CDT
Monday-Friday
Phone: (888) 862-3289
Fax: (901) 252-1321
Email:techsupport@tnb.com