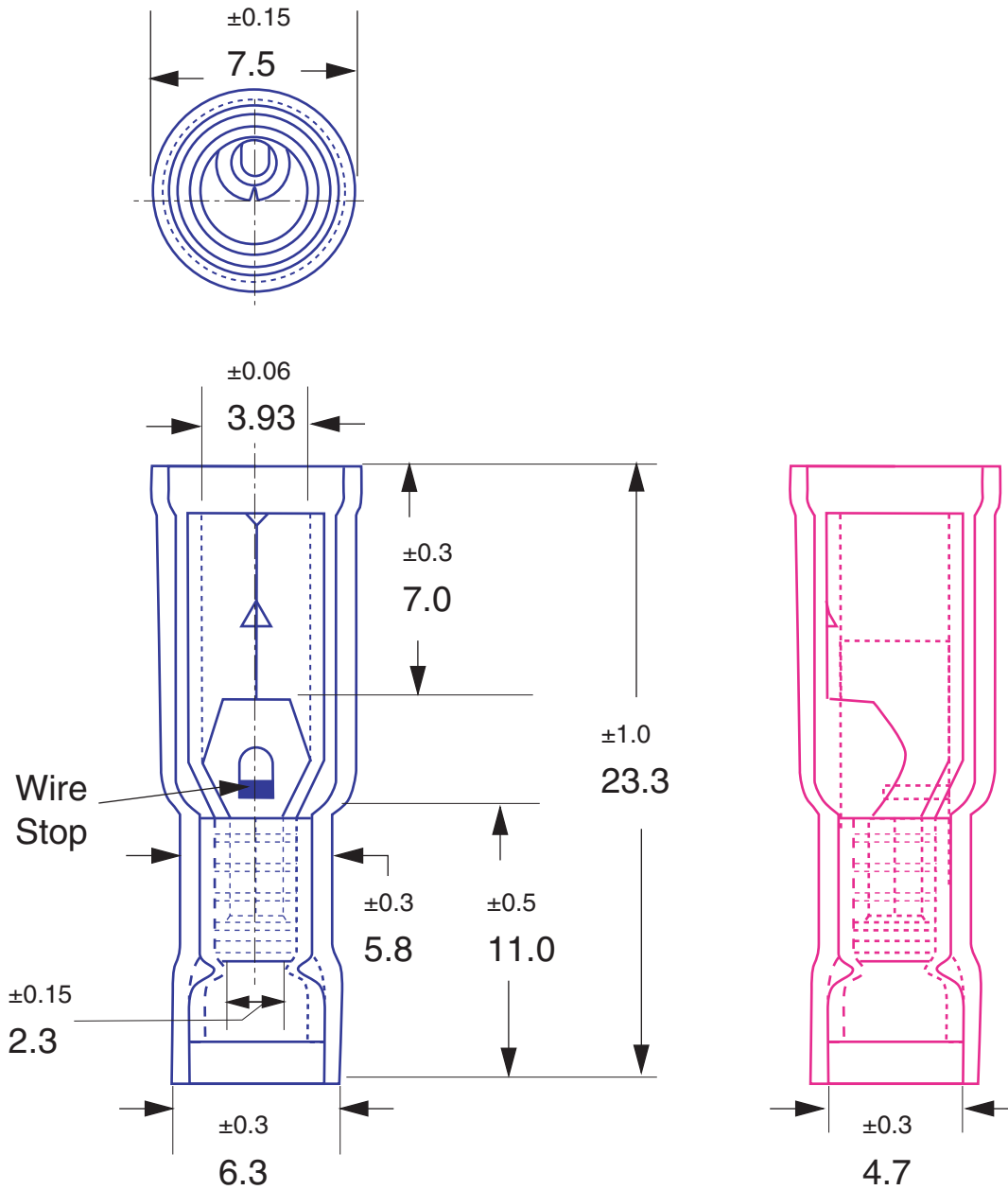


Fully Insulated Female Bullet Receptacle
Part No: CVDGF1614-T5

SYM.	CHANGES	BY	DATE



Max Electric Current: 16-14 AWG / 15 Amp
Max Electric Rating: 75° C / 300 V max
Measurement unit: mm

HOFFMAN CADFILE

NO.	1	2	3
NAME	CONNECTOR	INSULATOR	THICKNESS
MAT'L.	BRASS	VINYL	.04
REMARKS	TIN PLATED	BLUE	
APPROVED BY:	CHECKED BY:	DRAWN BY:	



HOFFMAN PRODUCTS

20700 Hubbell Avenue, Oak Park, MI 48237
Tel: 1-800-645-2014 • Fax: 1-800-908-1295
Web: www.hoffmanproducts.com

DATE:	TITLE: Fully Insulated Receptacle	
SCALE: FREE	PART NO. CVDGF1614-T5	
DRAWING NO. H90402	PART NAME	ISSUE