

# 3M™ Scotchlok™

## Self-Stripping Electrical Tap Connectors 951, 952, and 953

Data Sheet

February 2009

### Applications

Use 3M™ Scotchlok™ Self-Stripping Electrical Tap Connectors, 951, 952 and 953 to electrically tap into a wire in mid-span without cutting or stripping the wire. Connector then mates with a .250" (6,35 mm) male tab, making a reusable quick-connect wiring termination.

### Agency Approvals & Self Certifications

- UL Listed – tested per UL Standard 310, File No. E70512  
**NOTE: UL Listed for AWG Only**
- CSA Certified, CSA Std. C22.2 No. O. 188-MI983, CSA File No. LR15503, LR32411
- Federal Specification W-S-610D “Commercial Packaging”

| Type | Class | Kind | Style |
|------|-------|------|-------|
| II   | I     | Cu   | F     |

RoHS 2002/95/EC



RoHS Compliant 2002/95/EC" means that the product or part ("Product") does not contain any of the substances in excess of the maximum concentration values in EU Directive 2002/95/EC, as amended by Commission Decision 2002/618/EC, unless the substance is in an application that is exempt under RoHS. This information represents 3M's knowledge and belief, which may be based in whole or in part on information provided by third party suppliers to 3M.

### Specifications

|                      |  |
|----------------------|--|
| Max. Voltage Rating: | 600 V Building Wire<br>1000 V Signs or Fixtures (Luminaries) |
| Max. Operating Temp  | 221°F (105°C)  |
| Insulator Material:  | Flame retardant nylon, see table for color                   |
| Element:             | Tin plated brass, .03 in. (.8 mm) thick                      |
| Flammability Rating: | C2.2 No. 0.6 V-2   |

# 3M™ Scotchlok™ Self-Stripping Electrical Tap Connectors

## Wire Range

(See table for specific connector wire range) 22-12 AWG solid or stranded tinned or untinned (.5-3.0 mm sol. or str.) copper conductors. For use with common thermoplastic insulated wires such as: T, TW, TF, TFF, TFFN, THHN, AWM, TEW, SAE-GPT with a maximum wire insulation diameter of .150" (3,8 mm).

Maximum recommended connector current:

|        |          |        |          |
|--------|----------|--------|----------|
| 22 AWG | 3.0 AMPS | 20 AWG | 4.0 AMPS |
| 18 AWG | 7.5 AMPS | 16 AWG | 10 AMPS  |
| 14 AWG | 15 AMPS  | 12 AWG | 20 AMPS  |

| Conn. # | Color  | Wire Range (AWG – mm <sup>2</sup> ) | Weight lb./gm |
|---------|--------|-------------------------------------|---------------|
| 951     | RED    | 22 – 18 (0,3 – 0,8)                 | .0023 (1,04)  |
| 952     | BLUE   | 18 – 14 (0,8 – 2,0)                 | .0023 (1,04)  |
| 953     | YELLOW | 12 (3,0)                            | .0022 (1,00)  |

## Installation

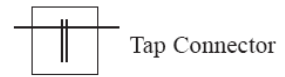
### **Warning**

Turn power off before installing or removing terminal. All electrical work should be done according to appropriate electrical codes.

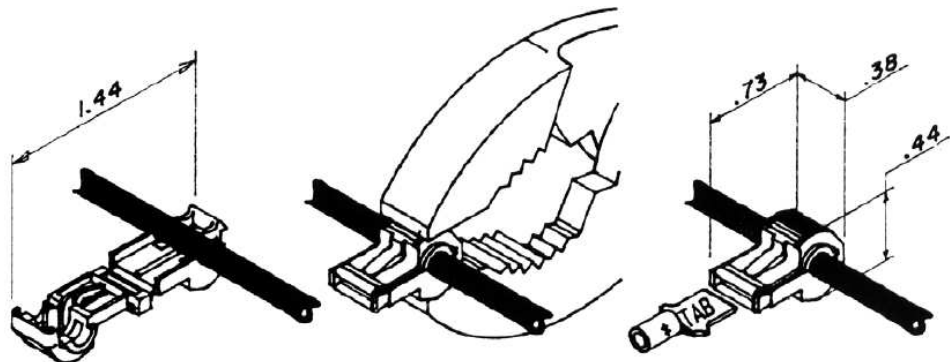
### Recommended installation tools:

3M™ Scotchlok™ Hand Crimping Tool No. E-9BM Mechanic's (slip joint) Pliers

1. Do not strip run wire.
2. Place run wire in open channel.
3. Fold connector body until element contacts wire.
4. Crimp connector closed with pliers.
5. Slide completed T-Tap onto male tab.



**NOTE: Tab not included. Suitable for field or factory installation. For field wiring, a suitable UL Recognized strain relief device is required.**



# 3M™ Scotchlok™ Self-Stripping Electrical Tap Connectors

---

## Engineering Specifications

Self-Stripping T-Tap Female Quick-Slide connector (as manufactured by 3M) capable of connecting to an insulated, solid or stranded copper wire, in mid-span, without cutting or stripping the wire; and of connecting to a .250 in. x .032" Male Tab, such as a 3M™ Scotchlok™ Terminal MNG14-250DMI, in a separable, reusable manner, forming a Quick Connect Wiring Termination.

---

## Shelf Life & Storage

This product has a 5-year shelf life from date of manufacture when stored in a humidity controlled storage (10°C/50°F to 27°C/80°F and <75% relative humidity).

---

## Availability

Please contact your local distributor; available from [3M.com/electrical](http://3M.com/electrical) [Where to Buy] or call 1-800-245-3573.

---

---

## Important Notice

All statements, technical information, and recommendations related to 3M's products are based on information believed to be reliable, but the accuracy or completeness is not guaranteed. Before using this product, you must evaluate it and determine if it is suitable for your intended application. You assume all risks and liability associated with such use. Any statements related to the product, which are not contained in 3M's current publications, or any contrary statements contained on your purchase order, shall have no force or effect unless expressly agreed upon, in writing, by an authorized officer of 3M.

---

## Warranty; Limited Remedy; Limited Liability

This product will be free from defects in material and manufacture at the time of purchase. 3M MAKES NO OTHER WARRANTIES INCLUDING, BUT NOT LIMITED TO, ANY IMPLIED WARRANTY OF MERCHANTABILITY OR FITNESS FOR A PARTICULAR PURPOSE. If this product is defective within the warranty period stated above, your exclusive remedy shall be, at 3M's option, to replace or repair the 3M product or refund the purchase price of the 3M product. Except where prohibited by law, 3M will not be liable for any indirect, special, incidental or consequential loss or damage arising from this 3M product, regardless of the legal theory asserted.

---

3M and Scotchlok trademarks of 3M Company.



### Electrical Markets Division

6801 River Place Boulevard  
Austin, TX 78726-9000  
800-245-3573 / Fax 800-245-0329  
[www.3M.com/electrical](http://www.3M.com/electrical)

Please recycle  
© 3M 2009 All rights reserved  
78-8126-5922-1 B