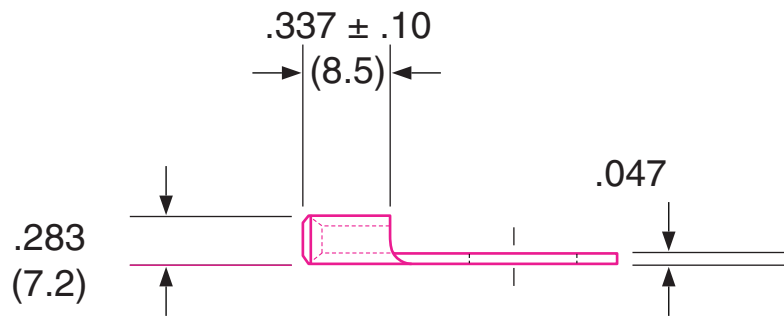
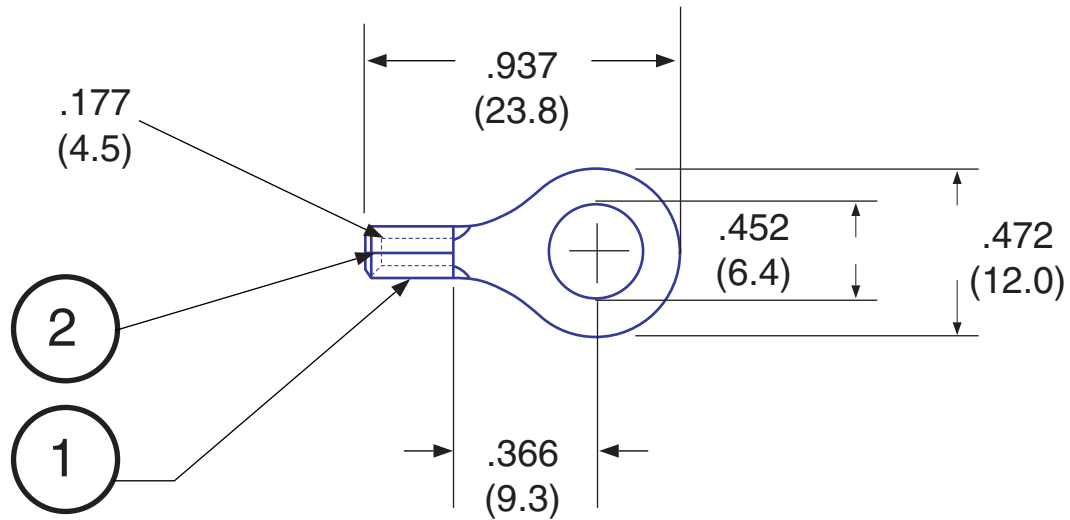


Ring Terminal - non-insulated

Part No: 8S6R1

STUD SIZE #1/4

SYM.	CHANGES	BY	DATE



Max Electric Current: 8 AWG / 62 Amp

Tolerance ±.020

Temperature Rating: 176° C

Measurements given in inches (mm)

HOFFMAN CADFILE

NO.	1	2	3
NAME	TERMINAL	BRAZED SEAM	STUD SIZE
MAT'L.	COPPER		#1/4
REMARKS	TIN PLATED		
APPROVED BY:	CHECKED BY:	DRAWN BY:	



HOFFMAN PRODUCTS

20700 Hubbell Avenue, Oak Park, MI 48237

Tel: 1-800-645-2014 • Fax: 1-800-908-1295

Web: www.hoffmanproducts.com

DATE:	TITLE: RING TERMINAL	
SCALE: FREE	PART NO. 8S6R1	
DRAWING NO. H1509	PART NAME	ISSUE