



Scotchlok™ 567

Self-Stripping Electrical Tap Connectors



Data Sheet

Application

Use Part No. 567 to electrically connect a (tap) wire end to a through (run) wire and insulate the connection.

Wire Range

(Tap) 18-14 AWG (.75-1.5 mm²):

(Run) 12-10 AWG (4.0 mm²)

Solid or stranded copper conductors. For use with common thermoplastic insulated wires such as: T, TF, TFF, TFN, TFFN, AWM, TEW, SAE-GPT with a maximum insulation diameter of (tap) .145 inches (3.5 mm) run .190 inches (4.8 mm).

Maximum recommended current for general purpose applications:

18 AWG - 7 AMPS, 16 AWG - 10 AMPS,

14 AWG-15 AMPS, 12 AWG-20 AMPS,

10 AWG-25 AMPS.

Construction

U-contact - Tin plated brass, .03 in. (.8 mm) thick

Insulator - Flame retardant polypropylene,

Color - brown

Weight

.0067 lb. (3.0 gm)

Recommended Installation Tools

9" Linemans Pliers

3M™ Crimping Tool No. E-9BM

Installation Instructions

⚠ WARNING

Turn power off before installing or removing terminal. All electrical work should be done according to appropriate electrical codes.

1. Place unstripped run wire inside run channel.
2. Insert unstripped tap wire completely and check it's position in the inspection port.
3. Hold tool perpendicular to the wires and make the connection by driving the u-contact down flush with the top of the plastic insulator.
4. Close hinged top cover until latched.

Regulatory Agencies

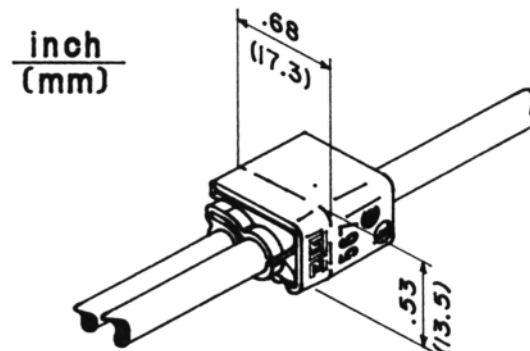
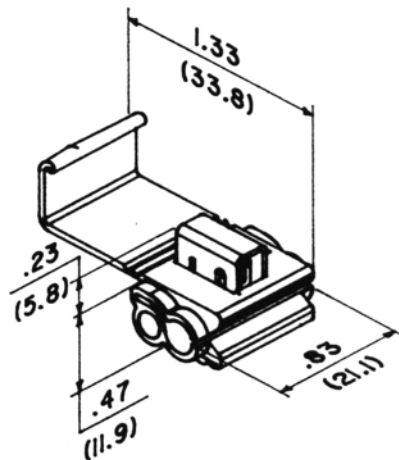
UL Listed - Tested per UL Standard 486C

UL file No. E23438

CSA certified - CSA Std. C22.2 No. 0. 188-MI983

CSA File No. LR15503, LR32411

(Voltage rated at 600 volts maximum, building wire: 1000 volts maximum, signs, fixtures and luminaires. Operating Temperature: 105°C.)



Engineering Specification

Self-Stripping Electrical Connector (as manufactured by 3M, part No. 567) capable of connecting a tap wire 18-14 AWG solid or stranded copper to a run wire solid or stranded copper. Connector shall be UL Listed and CSA Certified for 600 volts maximum, building wire: 1000 volts maximum, signs, fixtures and luminaires, and temperature rated 105°C maximum.

'3M' and 'Scotchlok' are trademarks of 3M Company.

IMPORTANT NOTICE

Before using this product, you must evaluate it and determine if it is suitable for your intended application. You assume all risks and liability associated with such use.

Warranty; Limited Remedy; Limited Liability. This product will be free from defects in material and manufacture as of the date of purchase. **3M MAKES NO OTHER WARRANTIES INCLUDING, BUT NOT LIMITED TO, ANY IMPLIED WARRANTY OF MERCHANTABILITY OR FITNESS FOR A PARTICULAR PURPOSE.** If this product is defective within the warranty period stated above, your exclusive remedy shall be, at 3M's option, to replace or repair the 3M product or refund the purchase price of the 3M product. **Except where prohibited by law, 3M will not be liable for any loss or damage arising from this 3M product, whether direct, indirect, special, incidental or consequential regardless of the legal theory asserted.**

3M

Electrical Products Division

6801 River Place Blvd.
Austin, TX 78726-9000
www.3M.com/elpd

Litho in USA
©3M 2003 78-8126-5860-3-A