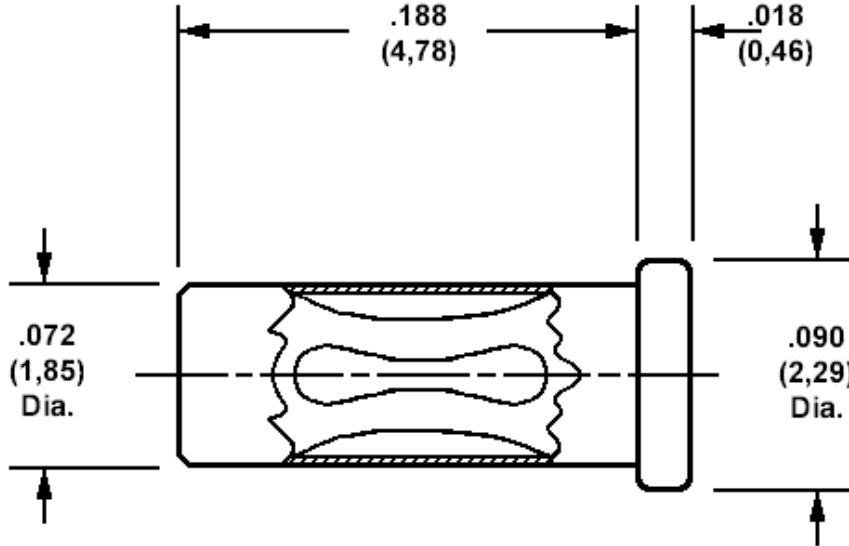


450-3704 Solder mount socket, for .040 (1,02) diameter pins

Recommended mounting hole .076 (1,93) + .002 (0,05) - .001 (0,03), #48 drill



Min hole depth .190 (4,85)

How to order code
450-3704-01-XX-00
 Basic Part No XX = Finish

MATERIALS				
Component	Material	Finish(-03)	Finish(-04)	Finish(-06)
Body	Copper	Gold over Nickel	Tin	Tin
Spring	Beryllium copper	Gold over Nickel	Tin	Gold over Nickel