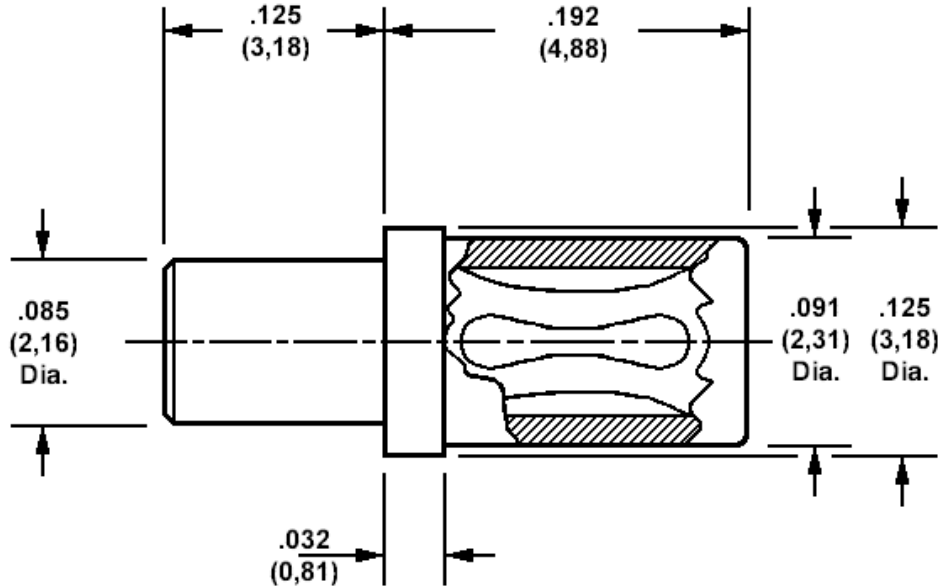


### 450-3366 Solder mount socket, for .040 (1,02) diameter pins

Recommended mounting hole .089 (2,26) ±.002 (0,05), #43 drill



Min hole depth .192 (4,88)

How to order code  
**450-3366-01-XX-00**  
 Basic Part No XX = Finish

MATERIALS				
Component	Material	Finish(-03)	Finish(-04)	Finish(-06)
Body	Brass	Gold over Nickel	Tin	Tin
Spring	Beryllium copper	Gold over Nickel	Tin	Gold over Nickel