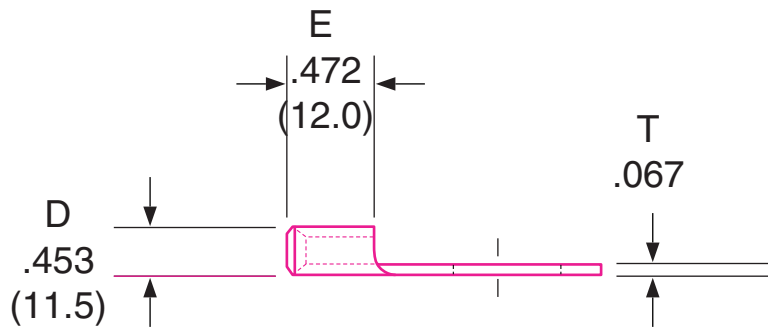
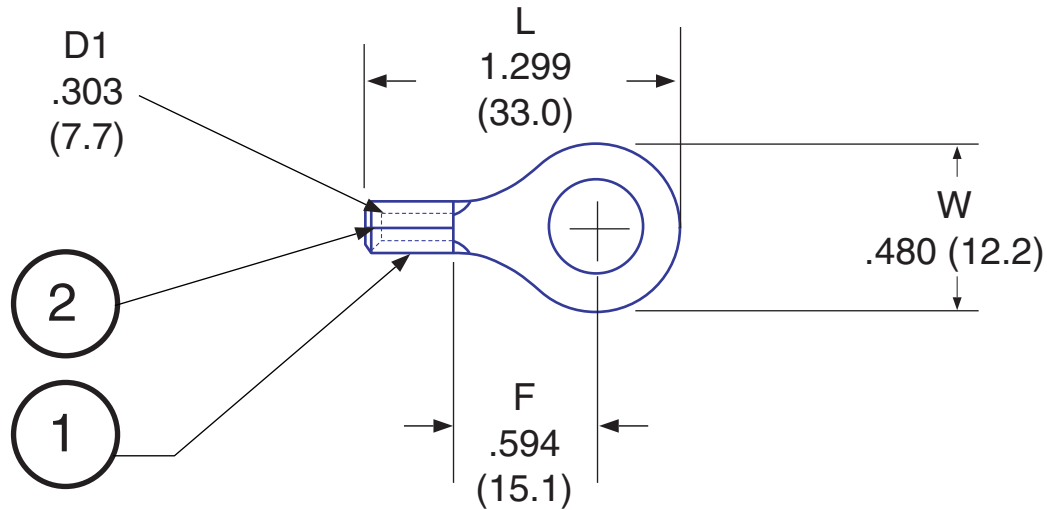


Ring Terminal - non-insulated

Part No: 4S6R1

STUD SIZE #1/4

SYM.	CHANGES	BY	DATE



Max Electric Current: 4 AWG / 115 Amp  
 Temperature Rating: 176° C  
 Tolerance ±.020



**HOFFMAN PRODUCTS**

20700 Hubbell Avenue, Oak Park, MI 48237  
 Tel: 1-800-645-2014 • Fax: 1-800-908-1295  
 Web: www.hoffmanproducts.com

HOFFMAN CADFILE

NO.	1	2	3
NAME	TERMINAL	BRAZED SEAM	STUD SIZE
MAT'L.	COPPER		#1/4
REMARKS	TIN PLATED		
APPROVED BY:	CHECKED BY:	DRAWN BY:	

DATE:	TITLE: <b>RING TERMINAL</b>		
SCALE: <b>FREE</b>	PART NO. <b>4S6R1</b>		
DRAWING NO. <b>H90449</b>	PART NAME	ISSUE	