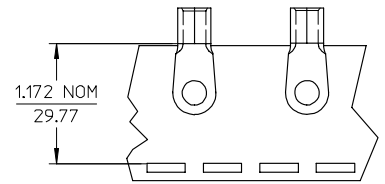
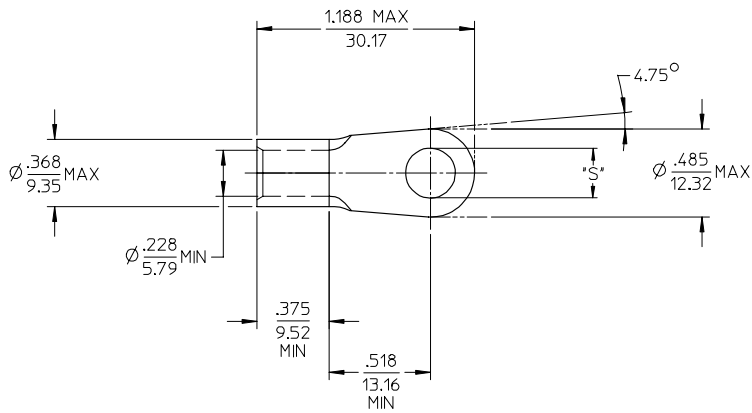


MATERIAL NO. LOOSE PIECE	ENG. NO.	MATERIAL NO. TAPE MOUNTED	ENG. NO.	STUD SIZE	±.003 "S"	STOCK THICKNESS
191930243	E-360-08	191930244	E-360-08T	8	.173	.050/(1.27) (B)
191930245	E-360-10	191930247	E-360-10T	10	.198	
191930248	E-360-14	191930250	E-360-14T	1/4	.265	
191930251	E-360-56	191930253	E-360-56T	5/16	.328	



SALES DRAWING

NOTE(S):

1. MATERIAL: COPPER
2. PLATING: ELECTROPLATE TIN
3. ALL DIMENSIONS IN INCHES/(MM).
4. WIRE SIZE: 6 AWG
16 MM²

(B) 5. PART IS ROHS COMPLIANT.

REVISIONS	QUALITY SYMBOLS	GENERAL TOLERANCES (UNLESS SPECIFIED)	DIMENSION STYLE	SCALE	DESIGN UNITS	THIRD ANGLE PROJECTION																		
REVISED MATL THKNS EC NO: EITC2007-0011 DRAWN/HILLE 2006/07/12 CHYKD: MCKEIL 2006/07/13 APPROVED/ROSS 2006/07/17	▽=0 ▽=0	<table border="1"> <thead> <tr> <th></th> <th>mm</th> <th>INCH</th> </tr> </thead> <tbody> <tr> <td>4 PLACES</td> <td>± .005</td> <td>± .0005</td> </tr> <tr> <td>3 PLACES</td> <td>± .01</td> <td>± .001</td> </tr> <tr> <td>2 PLACES</td> <td>± .02</td> <td>± .002</td> </tr> <tr> <td>1 PLACE</td> <td>± .05</td> <td>± .005</td> </tr> </tbody> </table> ANGULAR ±1/2°		mm	INCH	4 PLACES	± .005	± .0005	3 PLACES	± .01	± .001	2 PLACES	± .02	± .002	1 PLACE	± .05	± .005	IN/MM	2:1	INCH				
	mm	INCH																						
4 PLACES	± .005	± .0005																						
3 PLACES	± .01	± .001																						
2 PLACES	± .02	± .002																						
1 PLACE	± .05	± .005																						
D DESCRIPTION	DRAFT WHERE APPLICABLE MUST REMAIN WITHIN DIMENSIONS	<table border="1"> <thead> <tr> <th>DRAWN BY</th> <th>DATE</th> <th>TITLE</th> </tr> </thead> <tbody> <tr> <td>DLM</td> <td>03/07/28</td> <td>RING TONGUE TERMINAL VERSAKRIMP SERIES 6 AWG</td> </tr> <tr> <th>CHECKED BY</th> <th>DATE</th> <td></td> </tr> <tr> <td>HEB</td> <td>03/07/28</td> <td></td> </tr> <tr> <th>APPROVED BY</th> <th>DATE</th> <td></td> </tr> <tr> <td>RWD</td> <td>03/07/28</td> <td></td> </tr> </tbody> </table>	DRAWN BY	DATE	TITLE	DLM	03/07/28	RING TONGUE TERMINAL VERSAKRIMP SERIES 6 AWG	CHECKED BY	DATE		HEB	03/07/28		APPROVED BY	DATE		RWD	03/07/28		MOLEX INCORPORATED	MATERIAL NO. SEE CHART	DOCUMENT NO. SD-19193-032	SHEET NO. 1 OF 1
DRAWN BY	DATE	TITLE																						
DLM	03/07/28	RING TONGUE TERMINAL VERSAKRIMP SERIES 6 AWG																						
CHECKED BY	DATE																							
HEB	03/07/28																							
APPROVED BY	DATE																							
RWD	03/07/28																							
THIS DRAWING CONTAINS INFORMATION THAT IS PROPRIETARY TO MOLEX INCORPORATED AND SHOULD NOT BE USED WITHOUT WRITTEN PERMISSION																								