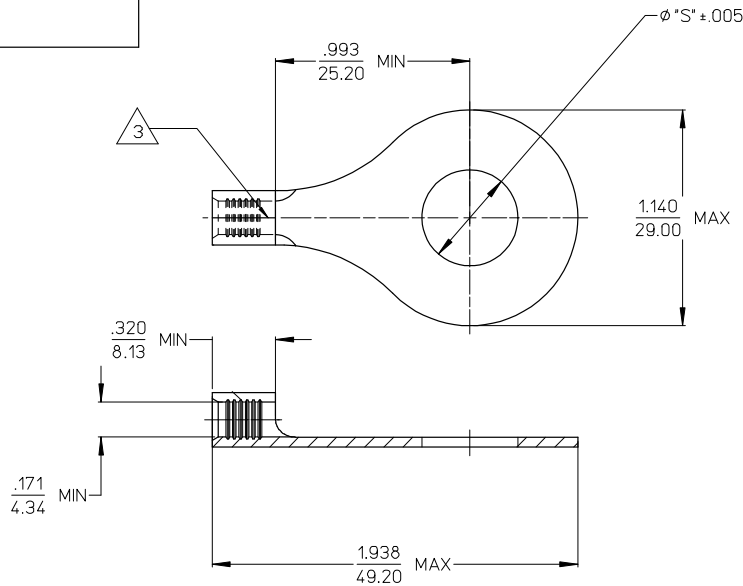


MATERIAL NUMBER	ENGINEERING NUMBER	STUD SIZE	*S*	PACKAGING
191930191	D-353-14	1/4	.256	LOOSE PIECE
191930194	D-353-56	5/16	.328	
191930193	D-353-38	3/8	.390	
191930196	D-353-76	7/16	.453	
191930190	D-353-12	1/2	.515	
191930195	D-353-58	5/8	.656	
191930192	D-353-34	3/4	.781	



SALES DRAWING

- NOTES:
 1. MATERIAL: COPPER
 PLATING: ELECTROPLATE TIN
 2. ALL DIMENSIONS IN INCHES/(MM).
 3. BRAZED SEAM.
 4. PART IS ROHS COMPLIANT.

RELEASE SALES DWG EC NO: WNAZ008-0012 DRAWN BY: ETHRODAHL CHKD: JMACNEIL APPR: JMACNEIL 2008/02/21 2008/03/03 2008/03/03	QUALITY SYMBOLS	GENERAL TOLERANCES (UNLESS SPECIFIED) <table border="1"> <thead> <tr> <th></th> <th>mm</th> <th>INCH</th> </tr> </thead> <tbody> <tr> <td>4 PLACES</td> <td>± .13</td> <td>± .005</td> </tr> <tr> <td>3 PLACES</td> <td>± .13</td> <td>± .005</td> </tr> <tr> <td>2 PLACES</td> <td>± 0.13</td> <td>± .01</td> </tr> <tr> <td>1 PLACE</td> <td>± 0.25</td> <td>± .01</td> </tr> <tr> <td colspan="3">ANGULAR ± ---°</td> </tr> </tbody> </table>		mm	INCH	4 PLACES	± .13	± .005	3 PLACES	± .13	± .005	2 PLACES	± 0.13	± .01	1 PLACE	± 0.25	± .01	ANGULAR ± ---°			DIMENSION STYLE	SCALE	DESIGN UNITS	THIRD ANGLE PROJECTION
			mm	INCH																				
	4 PLACES		± .13	± .005																				
	3 PLACES		± .13	± .005																				
2 PLACES	± 0.13	± .01																						
1 PLACE	± 0.25	± .01																						
ANGULAR ± ---°																								
DESCRIPTION	IN/MM	2:1	INCH	RING TONGUE TERMINAL 8 AWG																				
REV	DRAWN BY	DATE	MATERIAL NO.																					
A	ETHRODAHL	2008/02/21	SD-19193-037																					
	CHECKED BY	DATE	DOCUMENT NO.																					
	JMACNEIL	2008/02/21	1 OF 1																					
	APPROVED BY	DATE	SHEET NO.																					
	JMACNEIL	2008/02/21	1 OF 1																					
	DRAFT WHERE APPLICABLE MUST REMAIN WITHIN DIMENSIONS		THIS DRAWING CONTAINS INFORMATION THAT IS PROPRIETARY TO MOLEX INCORPORATED AND SHOULD NOT BE USED WITHOUT WRITTEN PERMISSION																					