

±.001

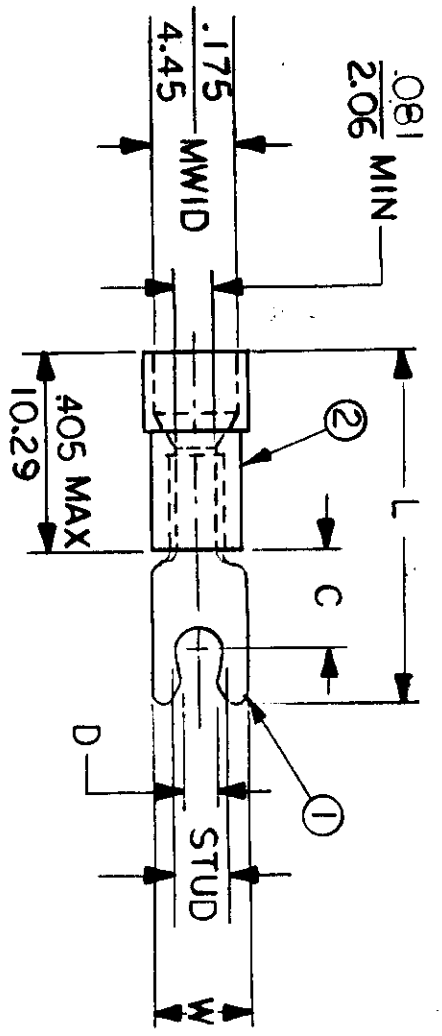
- NOTES:**
- ① MAT'L: COPPER (STOCK TKN. $\frac{.031}{.79}$)
 - PLATING: ELECTRO-TIN (.0003 MIN.)
 - ② INSULATION: MOLDED PVC (BLUE)

STUD SIZES: ($\pm .005$)

- 02 = .094
- 04 = .119
- 06 = .146
- 08 = .173
- 10 = .198
- 14 = .265
- 56 = .328
- 38 = .390

"UL" LISTING # E32244
 "CSA" LISTING # 18689

ALL DIMENSIONS = INCHES
 M/M



MWID = MAXIMUM WIRE
 INSULATION DIAMETER
 WIRE SIZE: 16 - 14 AWG
 10 - 2.5MM²

PART NUMBER	"W" ±.010	"C" MIN.	"L" MAX.	"D" ±.005	AVAILABLE STUD SIZES	DIMENSIONAL TOLERANCES UNLESS OTHERWISE SPECIFIED		
						FRAC.	DEC.	ANG.
BB-2707-	$\frac{.250}{6.35}$	$\frac{.230}{5.84}$	$\frac{.810}{20.57}$	$\frac{.105}{2.67}$	05X ($\frac{.127 \pm .005}{3.23}$)			
BB-2707-	$\frac{.250}{6.35}$	$\frac{.230}{5.84}$	$\frac{.810}{20.57}$	$\frac{.114}{2.90}$	06X			
BB-2708-	$\frac{.375}{9.53}$	$\frac{.261}{6.63}$	$\frac{.871}{22.12}$	$\frac{.139}{3.53}$	08X			
BB-2709-	$\frac{.406}{10.31}$	$\frac{.261}{6.63}$	$\frac{.919}{23.34}$	$\frac{.156}{3.96}$	10X			
						SCALE: NTS	DATE	TITLE:
						DRAWN BY: JJ	11.7.84	SNAP SPADE SHORT TONGUE TERMINAL INSULKRIMP 200 SERIES
						CHKD. BY: GZ	11.14.84	
						APPRD. BY:		
						DWG. NO. A	CUSTOMER DWG.	