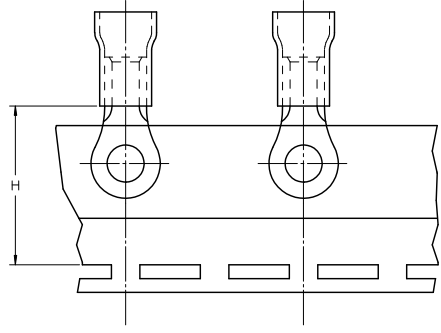
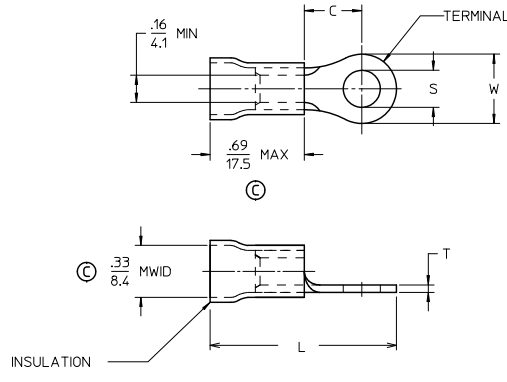


LOOSE PIECE BOX		TAPE MOUNTED PARTS		STUD	φS	W	L	C	T	H
MATERIAL NO.	ENG. P/N	MATERIAL NO.	ENG. P/N	SIZE		+0.12/0.30	MAX	MIN	REF	+0.02/0.5
190710132	D-650-06X	190710133	D-650-06XT	6	.146/ 3.71	.468/11.89	1.31/33.3	.363/9.22	.045/1.14	1.070/27.18
190710134	D-650-08X	190710135	D-650-08XT	8	.173/ 4.39	.468/11.89	1.31/33.3	.363/9.22	.045/1.14	1.070/27.18
190710136	D-650-10X	190710139	D-650-10XT	10	.198/ 5.03	.468/11.89	1.31/33.3	.363/9.22	.045/1.14	1.070/27.18
190710140	D-650-14X	190710143	D-650-14XT	1/4	.265/ 6.73	.468/11.89	1.31/33.3	.363/9.22	.045/1.14	1.070/27.18
190710144	D-650-56X	190710145	D-650-56XT	5/16	.328/ 8.33	.468/11.89	1.31/33.3	.363/9.22	.045/1.14	1.070/27.18
190710146	D-651-10X	-	-	10	.198/ 5.03	.583/14.81	1.43/36.3	.428/10.87	.045/1.14	-
190710148	D-651-14X	190710149	D-651-14XT	1/4	.265/ 6.73	.583/14.81	1.43/36.3	.428/10.87	.045/1.14	1.070/27.18
190710153	D-651-56X	190710155	D-651-56XT	5/16	.328/ 8.33	.583/14.81	1.43/36.3	.428/10.87	.045/1.14	1.070/27.18
190710150	D-651-38X	190710152	D-651-38XT	3/8	.390/ 9.91	.583/14.81	1.43/36.3	.428/10.87	.045/1.14	1.070/27.18
190710156	D-651-76X	-	-	7/16	.453/ 11.51	.583/14.81	1.43/36.3	.428/10.87	.045/1.14	-
190710158	D-652-10X	-	-	10	.198/ 5.03	.810/20.57	1.73/43.9	.611/15.52	.050/1.27	-
190710161	D-652-14X	-	-	1/4	.265/ 6.73	.810/20.57	1.73/43.9	.611/15.52	.050/1.27	-
190710163	D-652-56X	-	-	5/16	.328/ 8.33	.810/20.57	1.73/43.9	.611/15.52	.050/1.27	-
190710162	D-652-38X	-	-	3/8	.390/ 9.91	.810/20.57	1.73/43.9	.611/15.52	.050/1.27	-
190710166	D-652-76X	-	-	7/16	.453/ 11.51	.810/20.57	1.73/43.9	.611/15.52	.050/1.27	-
190710334	D-652-12X	190710160	D-652-12XT	1/2	.515/ 13.08	.810/20.57	1.73/43.9	.611/15.52	.050/1.27	1.400/35.56
190710164	D-652-58X	-	-	5/8	.656/ 16.66	.810/20.57	1.73/43.9	.611/15.52	.050/1.27	-
190710172	D-653-56X	-	-	5/16	.328/ 8.33	1.125/28.58	2.28/57.9	.986/25.04	.050/1.27	-
190710171	D-653-38X	-	-	3/8	.390/ 9.91	1.125/28.58	2.28/57.9	.986/25.04	.050/1.27	-
190710174	D-653-76X	-	-	7/16	.453/ 11.51	1.125/28.58	2.28/57.9	.986/25.04	.050/1.27	-
190710168	D-653-12X	-	-	1/2	.515/ 13.08	1.125/28.58	2.28/57.9	.986/25.04	.050/1.27	-
190710173	D-653-58X	-	-	5/8	.656/ 16.66	1.125/28.58	2.28/57.9	.986/25.04	.050/1.27	-
190710170	D-653-34X	-	-	3/4	.781/ 19.84	1.125/28.58	2.28/57.9	.986/25.04	.050/1.27	-
190710176	D-656-06X	190710177	D-656-06XT	6	.146/ 3.71	.374/9.50	1.27/32.3	.363/9.22	.045/1.14	1.070/27.18
190710178	D-656-08X	190710179	D-656-08XT	8	.173/ 4.39	.374/9.50	1.27/32.3	.363/9.22	.045/1.14	1.070/27.18
190710180	D-656-10X	190710181	D-656-10XT	10	.198/ 5.03	.374/9.50	1.27/32.3	.363/9.22	.045/1.14	1.070/27.18
190710182	D-656-14X	190710184	D-656-14XT	1/4	.265/ 6.73	.374/9.50	1.27/32.3	.363/9.22	.045/1.14	1.070/27.18



PARTS ON TAPE
(DOUBLE-SPACED)

SALES DRAWING



REDRAWN FROM MANUAL DRAWING
DRAWN BY JTK 1970/01/21

- NOTES:
- MATERIALS:
TERMINAL: TIN-PLATED COPPER
INSULATION: RED PVC
 - PARTS ARE ROHS COMPLIANT.
 - MWID = MAXIMUM WIRE INSULATION DIAMETER.

REWORK FLARE ID EC NO: WNA201-040 DRAWN BY: ETHRODAHL 2011/03/18 CHECKED BY: JMACNEIL 2011/03/18 APPR: JMACNEIL 2011/04/27	QUALITY SYMBOLS ▽=0 ▽=0	GENERAL TOLERANCES (UNLESS SPECIFIED)		DIMENSION STYLE IN/MM		SCALE 1:1	DESIGN UNITS INCH	THIRD ANGLE PROJECTION
		4 PLACES ±.005	3 PLACES ±.005	2 PLACES ±0.13	1 PLACE ±0.25	DRAWN BY ETHRODAHL 2011/03/18	CHECKED BY JMACNEIL 2011/03/18	APPROVED BY JMACNEIL 2011/04/27
DRAFT WHERE APPLICABLE MUST REMAIN WITHIN DIMENSIONS		SEE CHART		MATERIAL NO. SD-19071-002		DOCUMENT NO. SD-19071-002		SHEET NO. 1 OF 1
THIS DRAWING CONTAINS INFORMATION THAT IS PROPRIETARY TO MOLEX INCORPORATED AND SHOULD NOT BE USED WITHOUT WRITTEN PERMISSION								