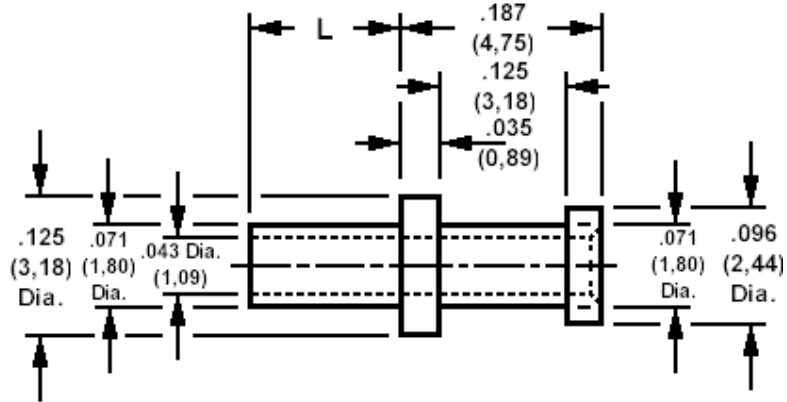


160-2027 Solder terminal, turreted, thru hole

Recommended mounting hole .076 (1,93), #48 drill



How to order code

160-2027-XX-YY-00

Basic Part No XX = L dimension, YY = Plating Finish

| DIMENSIONS (XX) | | | |
|-----------------|------|-------------|-----------------|
| Basic Part No | (XX) | L | Board Thickness |
| 160-2027 | -01 | .063 (1,60) | .031 (0,79) |
| | -02 | .094 (2,39) | .062 (1,58) |
| | -03 | .125 (3,18) | .094 (2,38) |
| | -04 | .156 (3,96) | .125 (3,18) |

| MATERIALS | | | |
|-----------|----------|-------------|----------------|
| Component | Material | Finish (YY) | |
| | | -01 | -05 |
| Terminal | Brass | Silver | Electro Solder |

| SWAGE TOOLING | |
|-----------------------------|-------------------|
| Recommended Swaging Tools:- | |
| Anvil | 435-6419-01-00-00 |
| Roll punch | 435-6617-01-00-00 |
| Flare Punch | 435-6657-01-00-00 |