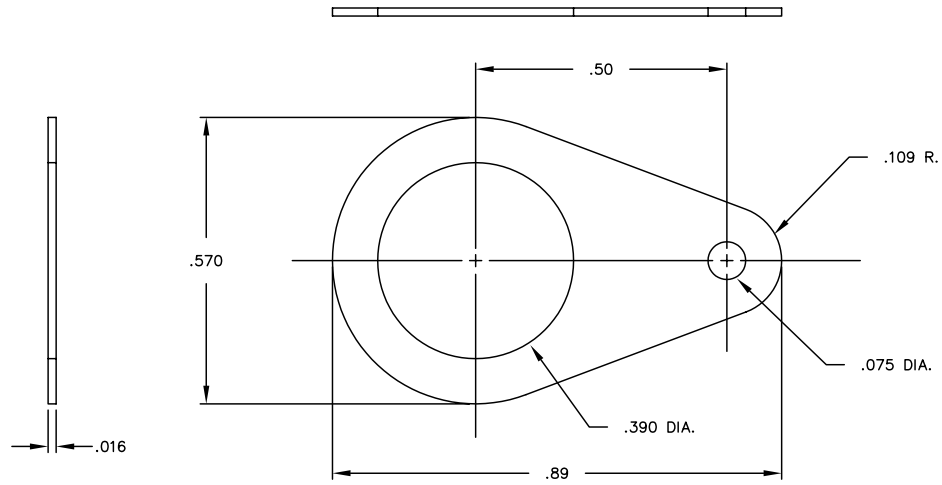


REVISIONS				
SYM	DESCRIPTION	REVISED BY	DATE	APPR



MATERIAL		BRASS	FINISH		ELECTRO TIN	ABBATRON Electronic Connectors and Hardware 632 Arch Street, Meadville, Pa. 16335				
DIMENSIONAL TOLERANCES UNLESS OTHERWISE SPECIFIED			TITLE							
.XX	.XXX	.XXXX	1497							
---	---	---	GROUND LUG							
FRACTIONS		ANGLES	SCALE	DRAWN	J. TEASDALE	DATE	9/19/94	SIZE	DRAWING NUMBER	ISSUE
---	---	---	4:1	CHECKED	E. MCKINNEY	DATE	9/28/94	B	SD-1497	B
HEAT TREAT		PLOT SCALE		APPROVED	M. KLOECKER	DATE	9/29/94			