

4

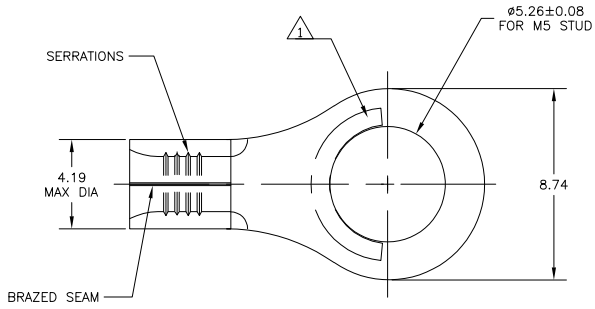
3

2

1

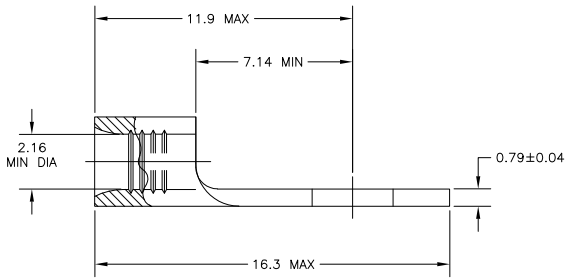
THIS DRAWING IS UNPUBLISHED. RELEASED FOR PUBLICATION  
 © COPYRIGHT BY TYCO ELECTRONICS CORPORATION. ALL RIGHTS RESERVED.

LOC	DIST	REVISIONS						
G	14	P	LR	DESCRIPTION	MS	DATE	MIN	APD
		A1		REV PER EDR 07-007115		03APR07	JR	TM



<b>AMP</b> WIRE RANGE	Listed FILE E13288	LR7189 Certified
16-14 AWG SOLID OR STRANDED	16-14 AWG SOLID OR STRANDED	16-14 AWG SOLID OR STRANDED

- ① STAMP AMP 16-14\* APPROX AS SHOWN
- ② TIN PLATE 0.00254 MIN THK PER ASTM B545
- ③ COPPER PER ASTM B-152, ANNEALED



②	5000	ON TAPE	2-130106-1
	1000	LOOSE PIECE	130106
FINISH	QTY	PACKAGING TYPE	PART NO.

AMP INCORPORATED CUSTOMER SERVICE SYSTEMS		MAX RECOMMENDED OPERATING TEMPERATURE: 170°C MAX	THIS DRAWING IS A CONTROLLED DOCUMENT.		DR: J.R. RUTH 03APR07	Tyco Electronics Corporation Harrisburg, PA 17105-3608
FOR ADDITIONAL PRODUCT INFORMATION OR COPIES OF DRAWINGS AND TECHNICAL DOCUMENTS	PRODUCT INFORMATION CENTER 1-800-522-6752	VOLTAGE RATING: N/A	DIMENSIONS: MIL INCHES	OK: T. MICHELJUTTI 03APR07	APD: T. MICHELJUTTI 03APR07	
FOR APPLICATION	TOOLING ASSISTANCE CENTER 1-800-722-1111	CIRCULAR MIL AREA: 1.04-2.82mm² [2,050-5,180] SOLID OR STRANDED	OTHER DIMENSIONS SPECIFIED:	PRODUCT SPEC:	APPLICATION SPEC:	RESTRICTED TO
FOR ORDER ENTRY	1-800-526-5142	THIS DRAWING IS A CONTROLLED DOCUMENT FOR AMP INCORPORATED. IF IT IS SUBJECT TO CHANGE, YOU SHOULD BE CONTACTED FOR THE LATEST REVISION.	MATERIAL:	FINISH:	HEIGHT:	SIZE: A2
				SEE TABLE	CUSTOMER DRAWING	CHG CODE: C=130106
						DRAWING NO: 130106
						SCALE: 8:1
						SHEET: 1 of 1
						REV: A1

AMP 1471-9 REV 31MM2000

130106

A