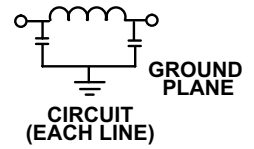
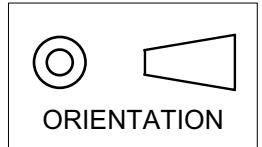


This drawing is the property of Tusonix, Inc., and may not be used, reproduced, published or disclosed to others without expressed authorization by Tusonix Inc.

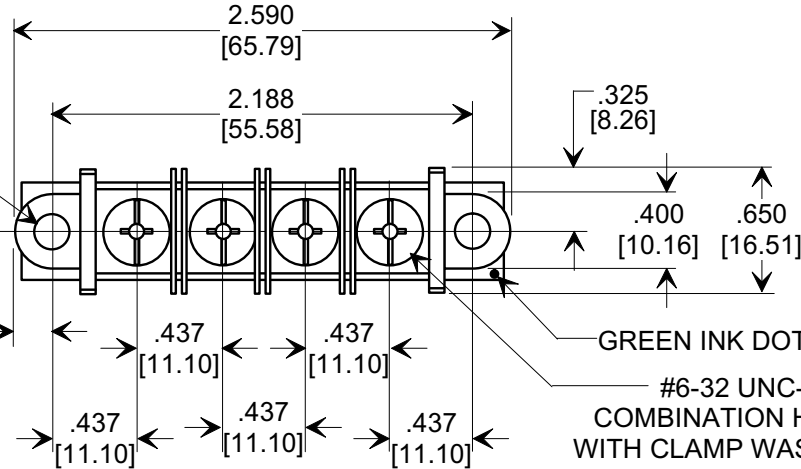
MARKETING SALES DRAWING
DIMENSIONS IN INCHES - DO NOT SCALE THIS DRAWING
DIMENSIONS IN METRIC - []



Electrical Testing
per Tusonix standard
test plans and Mil-Std-202
Test Methods.

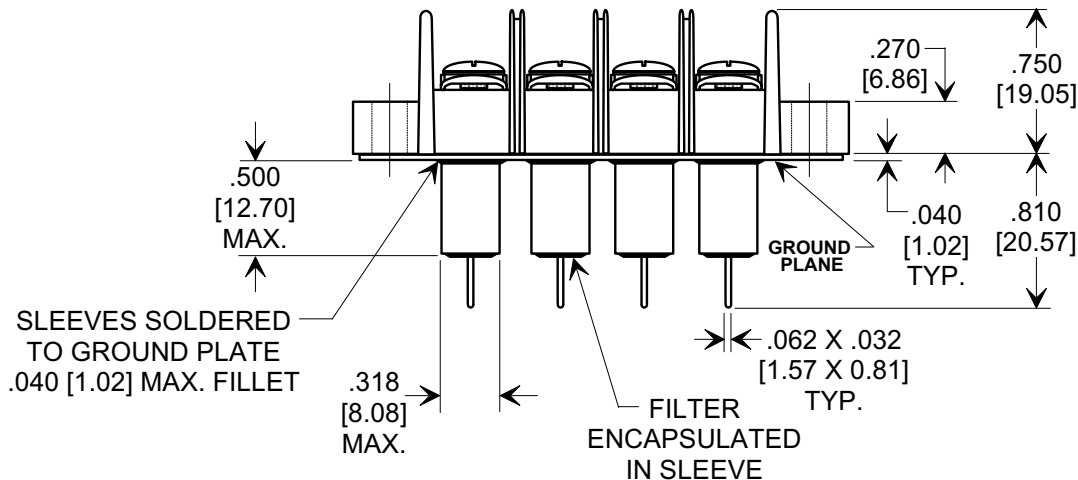
Ø .190 [4.83]
THRU (2) PLCS.
(SEE NOTE 2)

.200 [5.08]
(2) PLCS.



GREEN INK DOT RoHS ONLY

#6-32 UNC-2A THD.
COMBINATION HEAD SCREW
WITH CLAMP WASHER (4) PLCS.
TORQUE 10.8-13.2 in.lbs. [1.22-1.49 Nm] MAX.



SLEEVES SOLDERED
TO GROUND PLATE
.040 [1.02] MAX. FILLET

FILTER
ENCAPSULATED
IN SLEEVE

NOTES:

- TUSONIX STANDARD PART NUMBER: 7604-501.
TUSONIX RoHS COMPLIANT PART NUMBER: 7604-501 LF.
CUSTOMER MUST SPECIFY STANDARD OR RoHS PART NUMBER WHEN ORDERING.
- LEAD FINISH: MATTE TIN.
- PLATE MATERIAL: .040" COPPER ALLOY, MATTE TIN FINISH.
- PART MARKING: TRADEMARK, PART NUMBER, DATE CODE, AND UL RECOGNITION:
WHITE INK. RoHS PART: GREEN INK DOT ON TOP OF GROUND PLATE AS SHOWN.
- MAX. SOLDERING TEMPERATURE 500°F [260°C].
- BLOCK MOUNTING: RECOMMENDED MOUNTING SCREWS
(# 8 PAN HEAD). TORQUE 4.5-5.5 in. lbs. [0.51-0.62 Nm] MAX.
- MOLDED MATERIAL: HIGH TEMPERATURE THERMOPLASTIC (PBT), UL RATED 94 V-O.
- U.L. FILE NO. E201344.

| Cx (pF) | WVAC -40°C TO +125°C | I _{DC} | I.R. MIN. @ 100 (VDC.) | DWV (VAC) | TYPICAL NO LOAD INSERTION LOSS (dB) @ 25°C PER MIL-STD-220 | | | |
|-----------|-------------------------|-----------------|------------------------------|--------------|--|---------|-------|--------|
| | | | | | 10 MHz | 100 MHz | 1 GHz | 10 GHz |
| 2000 MIN. | 250 | 20 Amps | 10 G Ω | 1500 | 5 | 50 | 60 | 65 |

| | | | | | |
|---|---|---|--|------------------------|------------|
| REVISION RECORD | Original Release C.O. 19990607-1-08 | Title FILTERED TERMINAL BLOCK 4 POSITION, UL RECOGNIZED | TOLERANCES unless otherwise specified | | |
| | REVISED BLOCK & NOTE 3. ADDED NOTE 5. S.M. 01-28-00 | | 2 PLC. DECIMAL ± N/A | Drawn S.M. 06-08-99 | Scale FULL |
| | 20000127-3-03 ADDED IR & DWV. REVISED METRIC & NOTES. S.M. 08-09-04 | | 3 PLC. DECIMAL ± .030 [0.76] | | |
| | 20040802-1-07 ADDED NOTES 1-4 & RENUMBERED. S.M. 10-12-05 | | ANGLES ± N/A | Approved T.C. 06-08-99 | |
| 20050926-5-11 NOTES 4 & 6 REVISED. ADDED INK DOT. REVISED TORQUE. S.M. 01-23-06 | TUSONIX TUCSON, ARIZONA | A | 7604-501 | | |
| 20060103-1-03 | | | | | |

X-2015 Rev-0