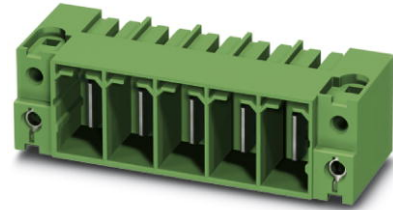


**PC 35 HC/ 2-GF-15,00**

Order No.: 1762741

<http://eshop.phoenixcontact.net/phoenix/treeViewClick.do?UID=1762741>Header, Nominal current: 125 A, Nom. voltage: 1000 V, Pitch: 15 mm,  
Number of positions: 2, Color: green, Assembly: Soldering

Commercial data	
EAN	4046356441018
Pack	25 pcs.
Customs tariff	85366990
Weight/Piece	0.053592 KG
Catalog page information	Page 442 (CC-2009)

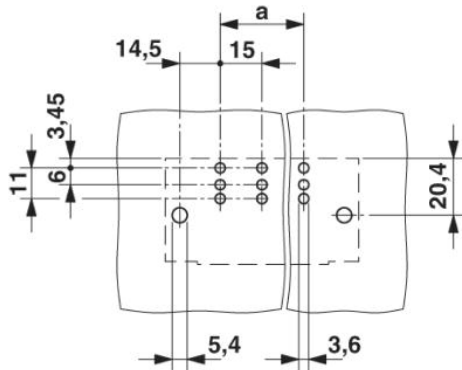
<http://www.download.phoenixcontact.com>  
Please note that the data given here has been taken from the online catalog. For comprehensive information and data, please refer to the user documentation. The General Terms and Conditions of Use apply to Internet downloads.

Technical data	
<b>Dimensions / positions</b>	
Pitch	15 mm
Dimension a	15 mm
Number of positions	2
Pin spacing	15 mm
<b>Technical data</b>	
Insulating material group	IIIa
Rated surge voltage (III/3)	8 kV
Rated surge voltage (III/2)	8 kV
Rated surge voltage (II/2)	8 kV

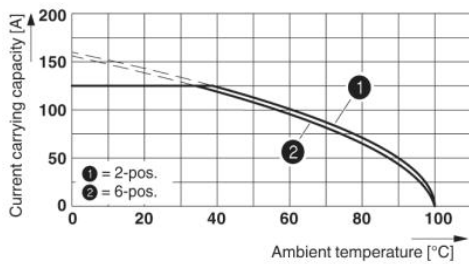
Rated voltage (III/2)	1000 V
Rated voltage (II/2)	1000 V
Nominal current $I_N$	125 A
Nominal voltage $U_N$	1000 V
Maximum load current	125 A
Insulating material	PBT
Inflammability class acc. to UL 94	V0

### Diagrams/Drawings

Drilling plan/solder pad geometry

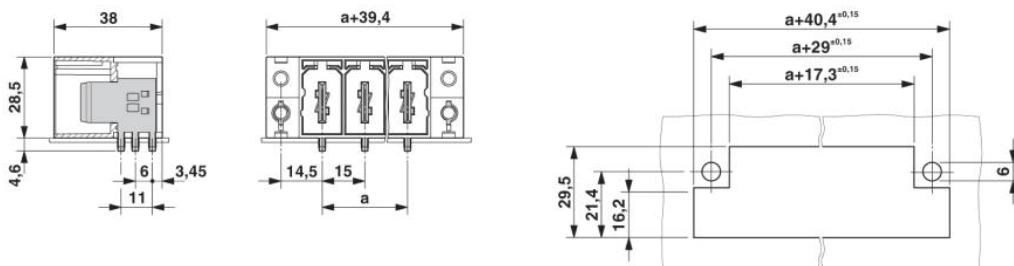


Diagram



Type: PC 35 HC/...-STF-15,00 with PC 35 HC/...-GF-15,00

Dimensioned drawing



**Address**

PHOENIX CONTACT GmbH & Co. KG  
Flachsmarktstr. 8  
32825 Blomberg, Germany  
Phone +49 5235 3 00  
Fax +49 5235 3 41200  
<http://www.phoenixcontact.com>



© 2010 Phoenix Contact  
Technical modifications reserved;