

PCB
TERMINAL
BLOCKS

FUSES &
FUSE-
HOLDERS

BATTERIES

LED'S

INTERFACE
MODULES &
MINIATURE
SWITCHES


ENCLOSURES
SUPPORTS

IC & PLCC
SOCKETS

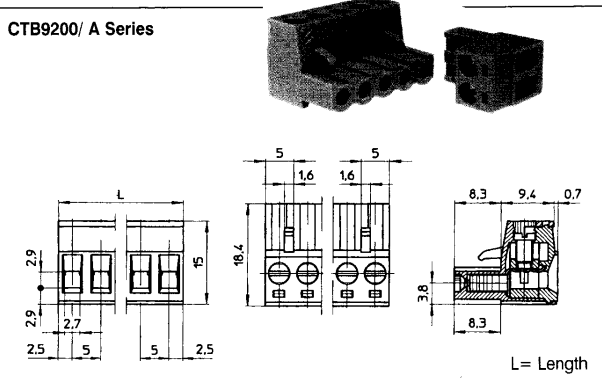
RELAY
BASES

5mm Pitch **Plug-in** (GREEN) Rising Clamp Terminal

Features

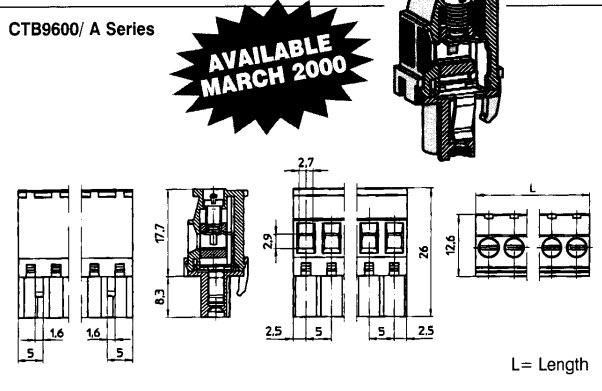
- 2-24 pole solid block
- Polarised mouldings
- 2.5mm² cable entry
- Anti solder wicking
- Plug in
- Moulded in green UL94-V0 flame retardant PA66
-  IMQ & CE approved
- Captive screws
- Open & closed headers
- Professional rising clamp terminals
- cUL applied
- Guided pin alignment
- Horizontal female plug style

Female connector



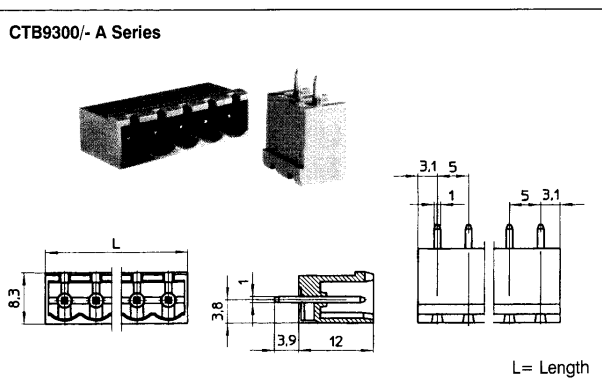
Type No.	Poles	Length	Type No.	Poles	Length
CTB9200/2A	2	10mm	CTB9200/14A	14	70mm
CTB9200/3A	3	15mm	CTB9200/15A	15	75mm
CTB9200/4A	4	20mm	CTB9200/16A	16	80mm
CTB9200/5A	5	25mm	CTB9200/17A	17	85mm
CTB9200/6A	6	30mm	CTB9200/18A	18	90mm
CTB9200/7A	7	35mm	CTB9200/19A	19	95mm
CTB9200/8A	8	40mm	CTB9200/20A	20	100mm
CTB9200/9A	9	45mm	CTB9200/21A	21	105mm
CTB9200/10A	10	50mm	CTB9200/22A	22	110mm
CTB9200/11A	11	55mm	CTB9200/23A	23	115mm
CTB9200/12A	12	60mm	CTB9200/24A	24	120mm
CTB9200/13A	13	65mm			

Vertical female connector



Type No.	Poles	Length	Type No.	Poles	Length
CTB9600/2	2	10mm	CTB9600/14	14	70mm
CTB9600/3	3	15mm	CTB9600/15	15	75mm
CTB9600/4	4	20mm	CTB9600/16	16	80mm
CTB9600/5	5	25mm	CTB9600/17	17	85mm
CTB9600/6	6	30mm	CTB9600/18	18	90mm
CTB9600/7	7	35mm	CTB9600/19	19	95mm
CTB9600/8	8	40mm	CTB9600/20	20	100mm
CTB9600/9	9	45mm	CTB9600/21	21	105mm
CTB9600/10	10	50mm	CTB9600/22	22	110mm
CTB9600/11	11	55mm	CTB9600/23	23	115mm
CTB9600/12	12	60mm	CTB9600/24	24	120mm
CTB9600/13	13	65mm			

PCB mounting male vertical (closed ended)



Type No.	Poles	Length	Type No.	Poles	Length
CTB9300/2A	2	11.2mm	CTB9300/14A	14	71.2mm
CTB9300/3A	3	16.2mm	CTB9300/15A	15	76.2mm
CTB9300/4A	4	21.2mm	CTB9300/16A	16	81.2mm
CTB9300/5A	5	26.2mm	CTB9300/17A	17	86.2mm
CTB9300/6A	6	31.2mm	CTB9300/18A	18	91.2mm
CTB9300/7A	7	36.2mm	CTB9300/19A	19	96.2mm
CTB9300/8A	8	41.2mm	CTB9300/20A	20	101.2mm
CTB9300/9A	9	46.2mm	CTB9300/21A	21	106.2mm
CTB9300/10A	10	51.2mm	CTB9300/22A	22	111.2mm
CTB9300/11A	11	56.2mm	CTB9300/23A	23	116.2mm
CTB9300/12A	12	61.2mm	CTB9300/24A	24	121.2mm
CTB9300/13A	13	66.2mm			



Tel: +44 (0)1727 864437 Fax: +44 (0)1727 855400
 E-mail: info@camden-electronics.co.uk Website: www.camden-electronics.co.uk



Because we operate a constant improvement policy, our products are subject to change without notice.