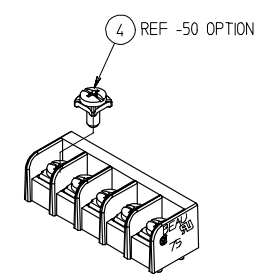
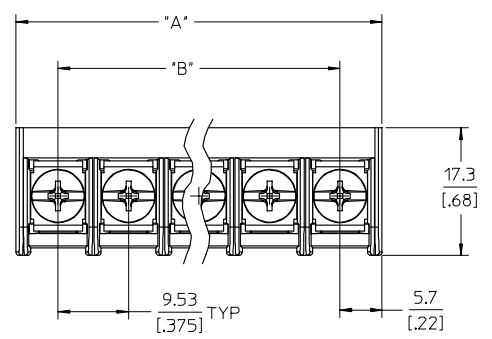
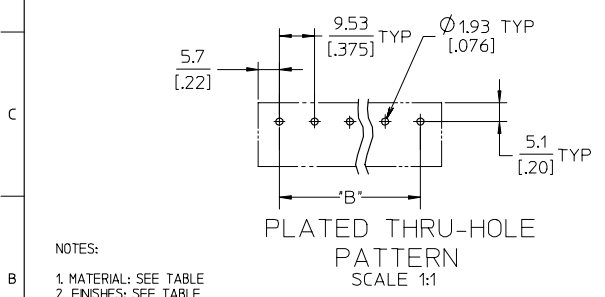


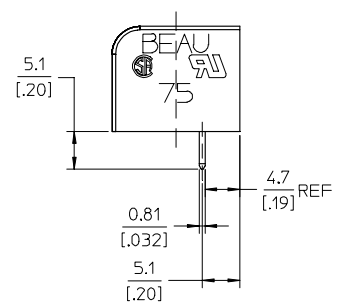
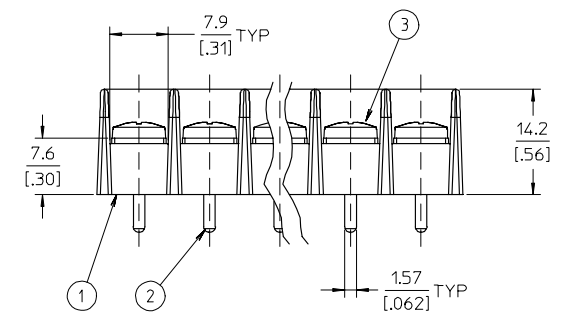
NO. OF CIRCUITS	DIMENSION "A"		DIMENSION "B"		MATERIAL NO. -C OPTION	MATERIAL NO. -50 OPTION
02	20.9	(0.82)	9.53	(.375)	387506302	387507502
03	30.4	(1.20)	19.05	(.750)	387506303	387507503
04	39.9	(1.57)	28.58	(1.125)	387506304	387507504
05	49.5	(1.95)	38.10	(1.500)	387506305	387507505
06	59.0	(2.32)	47.63	(1.875)	387506306	387507506
07	68.5	(2.70)	57.15	(2.250)	387506307	387507507
08	78.0	(3.07)	66.68	(2.625)	387506308	387507508
09	87.6	(3.45)	76.20	(3.000)	387506309	387507509
10	97.1	(3.82)	85.73	(3.375)	387506310	387507510
11	106.6	(4.20)	95.25	(3.750)	387506311	387507511
12	116.1	(4.57)	104.78	(4.125)	387506312	387507512
13	125.7	(4.95)	114.30	(4.500)	387506313	387507513
14	135.2	(5.32)	123.83	(4.875)	387506314	387507514
15	144.7	(5.70)	133.35	(5.250)	387506315	387507515
16	154.2	(6.07)	142.88	(5.625)	387506316	387507516
17	163.8	(6.45)	152.40	(6.000)	387506317	387507517
18	173.3	(6.82)	161.93	(6.375)	387506318	387507518
19	182.8	(7.20)	171.45	(6.750)	387506319	387507519
20	192.3	(7.57)	180.98	(7.125)	387506320	387507520
21	201.9	(7.95)	190.50	(7.500)	387506321	387507521
22	211.4	(8.32)	200.03	(7.875)	387506322	387507522
23	220.9	(8.70)	209.55	(8.250)	387506323	387507523
24	230.4	(9.07)	219.08	(8.625)	387506324	387507524
25	240.0	(9.45)	228.60	(9.000)	387506325	387507525
26	249.5	(9.82)	238.13	(9.375)	387506326	387507526



ISOMETRIC VIEW
SCALE 1:1
(5 CIRCUIT SHOWN)



PLATED THRU-HOLE PATTERN
SCALE 1:1



- NOTES:
1. MATERIAL: SEE TABLE
 2. FINISHES: SEE TABLE
 3. PRODUCT SPECIFICATION: NOT REQUIRED
 4. INCH DIMENSIONS ARE SHOWN IN BRACKETS (XXX).
 5. "XX" REFERS TO QUANTITY OF CIRCUITS.
 6. PACKAGING: NOT REQUIRED
 7. MATES WITH: NOT APPLICABLE

ITEM	QTY	DESCRIPTION	MATERIAL	FINISH
4	XX	SCREW W/SQ WASHER, #6-32X.250, PHIL-SLOT, -50	STEEL	ZINC CHROMATE
3	XX	SCREW, #6-32X.250, BHD, PHIL-SLOT, STD	STEEL	ZINC CHROMATE
2	XX	TERMINAL, PC	BRASS	TIN PLATE
1	1	INSULATOR	THERMOPLASTIC	BLACK

INITIAL RELEASE EC NO: ETC2006-0227 DRAWN BY CHYKROBERSS APPROVED BY RDEROSS	QUALITY SYMBOLS ▽=0 ▽=0	GENERAL TOLERANCES (UNLESS SPECIFIED)		DIMENSION STYLE MM/IN	SCALE 2:1	DESIGN UNITS INCH	THIRD ANGLE PROJECTION		
		4 PLACES ± --- ±.0015	3 PLACES ± 0.038 ±.005	2 PLACES ± 0.13 ±.01	1 PLACE ± 0.3 ±---	ANGULAR ± 2°	DRAWN BY EHILE DATE 2006/02/06		
		CHECKED BY RDEROSS DATE 2006/02/06			APPROVED BY RDEROSS DATE 2006/02/06			TITLE 9.53MM [.375] SR BTS, PC, CS ASSY, -C, -50	
		DRAFT WHERE APPLICABLE MUST REMAIN WITHIN DIMENSIONS				MATERIAL NO. SEE CHART		DOCUMENT NO. SD-38750-003	
SIZE B				THIS DRAWING CONTAINS INFORMATION THAT IS PROPRIETARY TO MOLEX INCORPORATED AND SHOULD NOT BE USED WITHOUT WRITTEN PERMISSION				STEEL NO. 1 OF 1	