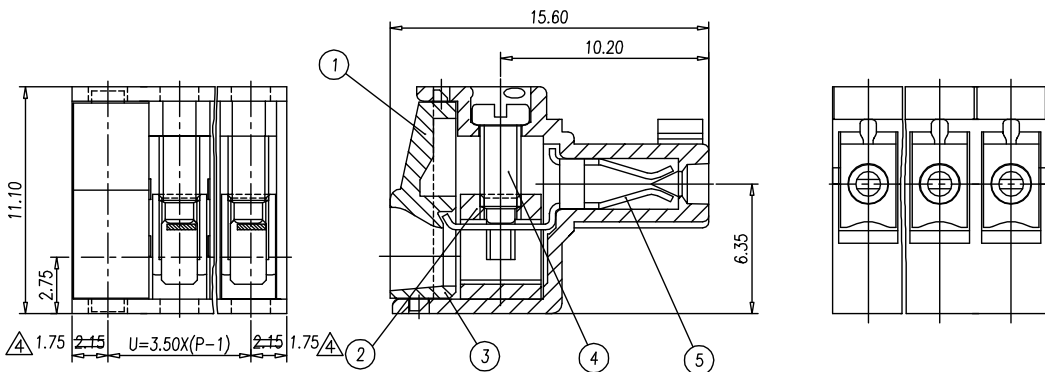


P	2	3	4	5	6	7	8	9	10	11	12	13
U	3.50	7.00	10.50	14.00	17.50	21.00	24.50	28.00	31.50	35.00	38.50	42.00
V	7.00	10.50	14.00	17.50	21.00	24.50	28.00	31.50	35.00	38.50	42.00	45.50
P	14	15	16	17	18	19	20	21	22	23	24	
U	45.50	49.00	52.50	56.00	59.50	63.00	66.50	70.00	73.50	77.00	80.50	
V	49.00	52.50	56.00	59.50	63.00	66.50	70.00	73.50	77.00	80.50	84.00	
Tolerances for PITCH ERROR												

NOTES:

1. Rating: 300V 8A (IEC 125V 12A)  
PITCH: 3.50mm
2. Insulation Withstands Voltage:  
AC 2000V/MIN
3. Insulation Resistance:  
1000MΩ or more at DC500V
4. Using Temperature Range:  
-40°C~+130°C
5. Suitable Electric Wire: AWG 28~16 (1.5mm<sup>2</sup>)
6. Screw Torque Value: 2kgf-cm
7. Undimensioned Tolerances:

—	∠	∇	0.05/10
⊥	∥	≡	0.2/10
PITCH ERROR			0.05/10
UNDIMENSIONED TOLERANCES			±0.3



△		YFY	04.03.26						
△		LJF	03.10.10	5	SOLDER PIN	0070B00100	P	BRONZE	
△		YFY	03.10.10	4	SCREW	S000010200	P	STEEL	M2/Zn Plated
△		. . . I	01.11.1	3	COVER	0080L3XX00	1	PBT	GREEN
REV.	CONTENT	CHK.	DATE	2	WIRE CAGE	X000007400 <del>X000002700</del>	△	P	Hard Brass <del>M2/Ni Plated</del> <del>M2/Zn Plated</del>

1	HOUSING	0080A0XX00	1	PBT	GREEN
ITEM	NAME OF PART	NO. OF PART	Q'TY	MATERIAL	NOTES
DWG.	Y.y	DATE	03.09.18	UNITS	MM SHEET/OF 1/1
CHK.		DATE		SCALE	5:1 ( : ) ⊕ ⊞
APP.		DATE		NAME	20.1550/XX
				DWG NO.	

