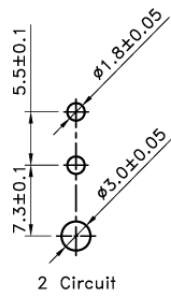
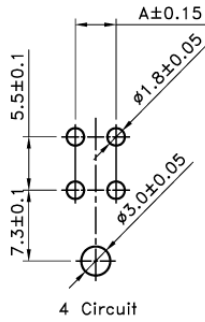
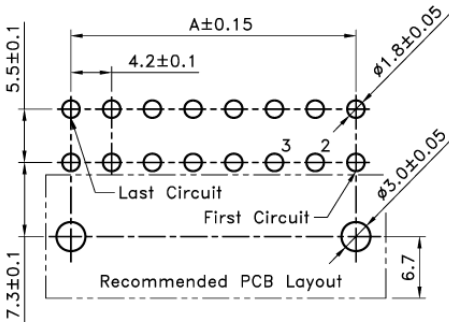
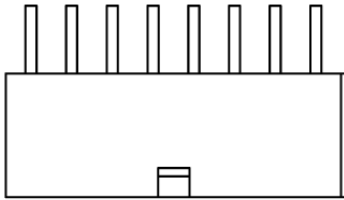


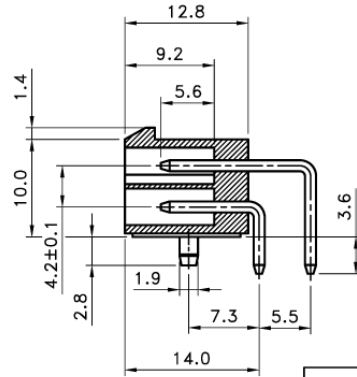
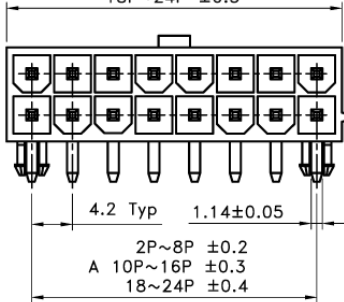
This document is the property of Amphenol Corporation and is delivered on the express condition that it is not to be disclosed, reproduced or used, in whole or in part, for the manufacture or sale by anyone other than Amphenol Corporation without its prior consent, and that no right is granted to disclose or to use any information in this document.



**SPECIFICATIONS**  
 Voltage rating : 250V AC/DC  
 Current rating : 7A AC/DC  
 Withstanding voltage : 1500V AC/minute  
 Contact resistance : 20mΩ max  
 Temperature range : -40°C to +105°C  
 Insulation resistance : 1000MΩ min  
**MATERIAL**  
 Insulator : Nylon66 (UL94V-2)  
 Insulator color : Transparnt White  
 Contact : Brass  
 Plating : Tin Plated



2P~8P ±0.3  
 B 10P~16P ±0.4  
 18P~24P ±0.5



Poles	Dimensions(mm)	
	A	B
2	----	5.60
4	4.20	9.80
6	8.40	14.00
8	12.60	18.20
10	16.80	22.40
12	21.00	26.60
14	25.20	30.80
16	29.40	35.00
18	33.60	39.20
20	37.80	43.40
22	42.00	47.60
24	46.20	51.80

TOLERANCE (mm)	APPROVALS	DATE	TITLE	AMPHENOL	
X. ±0.3	DRAWN: Stephane	05/Jan/2007	4.2 Power Wafer R/A Dip w/Pegs	Amphenol European Design Center	
XX ±0.2	CHECKED: Rob	05/Jan/2007		Scale N.A.	Sheet 1 of 1
XXX ±0.15	APPROVED: Rob	05/Jan/2007		REV. A	
UNLESS OTHERWISE SPECIFIED	UNIT: mm		SIZE: DRAWING N° A4	MF42-RP-XX	