



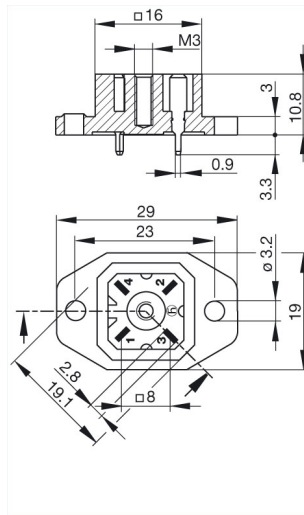
## G 30 A 5 M schwarz/black

Industrial Connectors:Rectangular connectors G-series:Cable plug

### Product description

Description	Surface mounted connector with flange with solder contacts
Type	G 30 A 5 M schwarz/black
Order No.	932 840-100
Type of contact	blade contacts
Number of contacts	3 + PE
Standard	DIN VDE 0627 / IEC 61984
Housing Color	black

### Drawing



### Technical data

Pin dimensions	2.8 mm x 0.8 mm
Rated voltage	AC/DC 250 V
Rated current	10 A
Contact resistance	$\leq 4$ mOhm
Type of termination	solder (solder tabs for printed circuits)

### Material

Contact surface material	Sn
Contact bearer material	PA
Housing material	PA

### Environmental conditions

Protection class (IEC 60529)	IP 65
Pollution severity	3
Temperature range	-40 °C to +90 °C

### Inflammability class

Housing	94 HB
Contact bearer	94 HB

### Approvals

VDE	VDE
-----	-----

### Packaging unit

Packaging unit 100 pieces

**Scope of delivery and accessories**

Scope of delivery 1 surface mounted connector

Accessories to order separately can be plugged into G 30 KW 3 F 2m,  
G 30 W 3 F grau/grey