

Standard terminal blocks

Compression clamp

DIN 1 - 3

End stop	th. 9 mm	BADL V0	0199 408.02
End stop	th. 9,1 mm	BAM	0103 002.26
Rail	35 x 7,5 x 1	PR30 prepunched	0173 220.05
Rail	35 x 15 x 2,3	PR4	0168 500.12
Rail	35 x 15 x 1,5	PR5 prepunched	0101 598.26
Rail	32 x 15 x 1,5	PR1Z2	0163 050.04

Other end stops and rails : See Accessories section

Characteristics

Wire size

	IEC		UL	CSA
	NFC	DIN		
Compression Solid wire	0,2-4 mm ²		24-12 AWG	24-12 AWG
clamp Stranded wire	0,22-2,5 mm ²		24-12 AWG	24-12 AWG

Voltage

	800 V	600 V	600 V
Rated			
Pulse	8 kV		
Pollution degree	3		

Current

	24 A	30 A	25 A
Rated			

Wire size

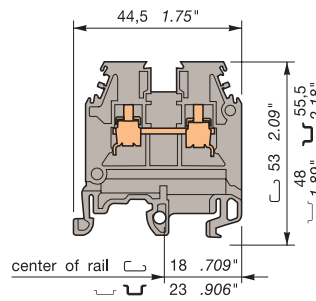
Rated / Gauge	2,5 mm ² / A3	12 AWG	12 AWG
Wire stripping length	Recomm. Screwdriver	Recomm. torque	Protection
10 mm	3,5 mm	0,4-0,6 Nm	IP 20
.39"	.137"	3,5-5,3 lb.in	NEMA 1

Notes

The use of some accessories may decrease the block's voltage rating. For more information, consult us.

MA 2,5/5...

Spacing 5 mm + 0,08 (.200")



Standard 5 mm block.

0115 486.03

Color	Type	Part numbers
Standard blocks		
Grey	MA 2,5/5	0115 486.03
Blue	MA 2,5/5.N	0125 486.05
Yellow	MA 2,5/5	0105 486.12
White	MA 2,5/5	0105 052.21
Orange	MA 2,5/5	0105 075.20
Beige V0	MA 2,5/5.V0	0195 486.04
Blue V0	MA 2,5/5.N.V0	0199 010.21



Accessories

Accessories	Type	Part numbers			
	1 End section	grey blue orange yellow green white beige blue yellow			
	2 End section	grey			
	3 End section	grey			
	4 Circuit separator	grey			
	5 Separator end section	grey blue beige			
	6 Separator end section	grey			
	7 Separator end section	grey			
	8 Separator end section	grey			
	9 Separator end section	grey			
	10 Separator end section (for cover CPV)	grey beige			
	11 Protective cover	grey			
	12 Protective cover	grey			
		13 Test socket	24 A		
		14 Test device	24 A		
		15 Test plug	24 A		
			16 Assembled jumper bar (without IP20 protection)	24 A	
			17 Assembled jumper bar (with IP20 protection)	24 A	
				18 Jumper bar not assembled	24 A
				19 Connector plate	24 A
				20 Screwless jumper bar orange IP 20	24 A
				21 Jumper	24 A
				22 Alternated jumper bar	24 A
	23 Comb-type jumper bar			30 A	
				24 Shield connector	Insulating tip th. 0,5 mm th. 0,8 mm
				25 Protection label	

Type	Part numbers
FEM6	th. 2,8 mm 0118 368.16
FEM6	th. 2,8 mm 0128 368.10
FEM6	th. 2,8 mm 0103 126.16
FEM6	th. 2,8 mm 0103 062.21
FEM6	th. 2,8 mm 0103 125.15
FEM6	th. 2,8 mm 0103 312.20
FEM6 V0	th. 2,8 mm 0198 368.17
FEM6 V0	th. 2,8 mm 0199 302.07
FEM6 V0	th. 2,8 mm 0199 305.02
FEM61 (2)	th. 3,0 mm 0114 776.23
FEM6C (2)	th. 3,0 mm 0114 777.24
SCMA5	0116 728.25
SCF6	th. 3,0 mm 0118 707.03
SCF6	th. 3,0 mm 0128 707.05
SCF6 V0	th. 3,0 mm 0198 707.04
SCF61	th. 3,0 mm 0114 202.25
SCFM6 (2)	th. 3,0 mm 0114 825.05
SCFEX1 (2)	th. 2,4 mm 0103 619.04
SCFEX3 (2)	th. 2,4 mm 0103 620.01
SCFCV1-2 (2)	th. 3,0 mm 0116 795.11
SCFCV1-2 V0(2)V0	th. 3,0 mm 0196 795.12
CPM (for FEM6C, SCF6(V0) and SCFM6)	0187 312.14
CPV1-2 (for SCFCV1-2...)	0176 816.12
AL2 (1)	DIA. 2 mm 0163 046.24
DCB	blue 0105 028.21
FC2	DIA. 2 mm 0007 865.26
BJM5 (1)	2 poles 0176 273.01
BJM5 (1)	3 poles 0176 274.02
BJM5 (1)	4 poles 0176 275.03
BJM5 (1)	5 poles 0176 276.04
BJM5 (1)	10 poles 0176 277.05
BJM5 (1)	2 poles 0176 278.16
BJM5 (1)	3 poles 0176 279.17
BJM5 (1)	4 poles 0176 280.05
BJM5 (1)	5 poles 0176 281.22
BJM5 (1)	10 poles 0176 282.23
BJS5 (1)	20 poles 0177 652.06
EV5	0168 629.16
EL6	0173 627.21
BJE5.2	2 poles 0199 227.23
BJE5.3	3 poles 0199 228.04
BJE5.4	4 poles 0199 298.03
BJE5.5	5 poles 0199 299.04
BJE5.6	6 poles 0299 861.03
BJE5.7	7 poles 0299 862.04
BJE5.8	8 poles 0299 863.05
BJE5.9	9 poles 0299 864.06
BJE5.10	10 poles 0199 443.24
BJB	0199 466.23
BJA5	10 poles 0205 021.26
PC5	2 poles 0113 542.10
PC5	10 poles 0113 544.12
EIP	0113 550.24
CBM5	th. 0,5 mm 0178 745.14
CBM8	th. 0,8 mm 0178 746.15
EPU5	0107 033.10

R See section on markers marking method

(10) Sides of blocks and RC 510 only, top of blocks

Note : (1) A circuit separator SC may be required with the use of these accessories. (2) End section and circuit separator snapped on rails.