

Standard terminal blocks

Compression clamp

DIN 1 - 3

End stop	th. 9 mm	BADL V0	0199 408.02
End stop	th. 9,1 mm	BAM	0103 002.26
Rail	35 x 7,5 x 1	PR30 prepunched	0173 220.05
Rail	35 x 15 x 2,3	PR4	0168 500.12
Rail	35 x 15 x 1,5	PR5 prepunched	0101 598.26
Rail	32 x 15 x 1,5	PR1Z2	0163 050.04

Other end stops and rails : See Accessories section

Notes

The use of some accessories may decrease the block's voltage rating. For more information, consult us.

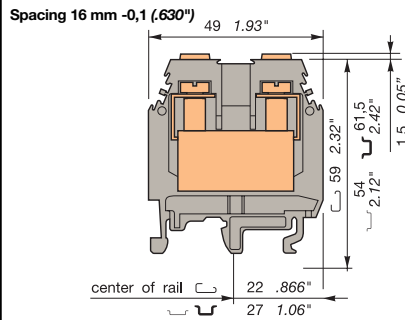
BJDP1 permits the interconnection with a terminal block series "M" spacing 6 or 6,5 or 8 or 10 mm.

BJDP2 permits the interconnection with a terminal block series "M" spacing 12 mm.

Accessories

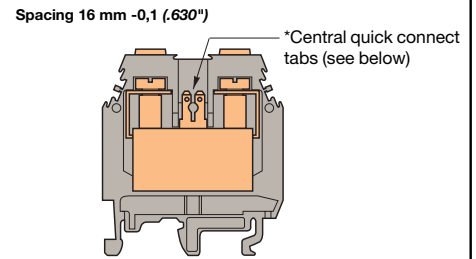
	1 End section	grey blue yellow beige blue
	2 Separator end section	grey beige
	3 Separator end section for cover CPV	grey beige
	4 Separator end section	grey
	5 Separator end section	grey
	6 Protective cover	
	7 Protective cover	
	8 Test socket	
	9 Test plug	
	10 Assembled jumper bar	125 A 125 A 125 A 125 A 125 A
	11 Jumper bar not assembled	125 A
	12 Universal jumper bar	50 A 95 A
	13 Protection label	
	Screw for protection label	
	14 Ground identification	
	R See section on markers marking method	

M 35/16...



Standard 16 mm block with partition. **0115 124.07**

M 35/16.2A.2G



Standard 16 mm block with two compression clamp connections, a partition, and a central quick-connect tab. Quick-connect tab: 6.3 x 0.8 mm, series 250 (1/4"), 2.5 mm² max. (14 AWG).



Color	Type	Part numbers
Grey	M 35/16	0115 124.07
Blue	M 35/16.N	0125 124.01
	M 35/16	0105 124.16
	M 35/16.V0	0195 124.00
	M 35/16.N.V0	0199 006.22

Characteristics

Wire size	Wire size		
	IEC NFC DIN	UL	CSA
Compression Solid wire	1-50 mm²	10-0 AWG	10-0 AWG
clamp Stranded wire	1-35 mm²	10-0 AWG	10-0 AWG

Voltage			
Rated	800 V	600 V	600 V
Pulse	8 kV		
Pollution degree	3		

Current			
Rated	125 A	150 A	140 A

Wire size			
Rated / Gauge	35 mm² / B9	0 AWG	0 AWG
Wire stripping length	Recomm. Screwdriver	Recomm. torque	Protection
17 mm	6,5-7 mm	2,8-3 Nm	IP20
.669"	.255" - .276"	24.3-26.1 lb.in	NEMA 1

Color	Type	Part numbers
Grey	M 35/16.2A.2G	0115 719.23

Characteristics

Wire size	Wire size		
	IEC NFC DIN	UL	CSA
Compression Solid wire	1-50 mm²	16-0 AWG	16-0 AWG
clamp Stranded wire	1-35 mm²	16-2 AWG	16-2 AWG
Quick connect	4 tabs : 2.8 x 0.8 series 110 - 1.5 mm² max.		
	2 tabs : 6.3 x 0.8 series 250 - 2.5 mm² max.		

Voltage			
Rated	800 V		
Pulse	8 kV		
Pollution degree	3		

Current			
Rated	125 A (4)		

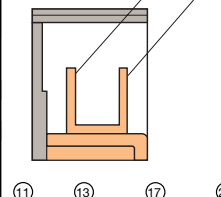
Wire size			
Rated / Gauge	35 mm² / B9	0 AWG	0 AWG
Wire stripping length	Recomm. Screwdriver	Recomm. torque	Protection
17 mm	6,5-7 mm	2,8-3 Nm	IP20
.669"	.255" - .276"	24.3-26.1 lb.in	NEMA 1

Type	Part numbers
FEM16 th. 3,0 mm	0118 233.27
FEM16 th. 3,0 mm	0128 233.21
FEM16 th. 3,0 mm	0103 061.20
FEM16V0 V0 th. 3,0 mm	0198 233.20
FEM16V0 V0 th. 3,0 mm	0199 304.01
SCF16 th. 3,0 mm	0113 101.17
SCF16.V0 V0 th. 3,0 mm	0193 101.10
SCFCV1.2 (1) th. 3,0 mm	0116 795.11
SCFCV1.2 V0 V0 (1) th. 3,0 mm	0196 795.12
SCFEX1 (1) th. 2,4 mm	0103 619.04
SCFEX3 (1) th. 2,4 mm	0103 620.01
CPM (for SCF16...)	0187 312.14
CPV1.2 (for SCFCV1.2...)	0176 816.12
AL4 DIA. 4,0 mm	0168 237.05
FC2 DIA. 2,0 mm	0007 865.26
FC4 DIA. 4,0 mm	0167 860.01
BJM16 (2) 2 poles	0179 613.01
BJM16 (2) 3 poles	0179 614.02
BJM16 (2) 4 poles	0179 615.03
BJM16 (2) 5 poles	0179 616.04
BJM16 (2) 10 poles	0179 617.05
BJS16 (2) 10 poles	0168 238.16
EV16	0179 627.07
BJDP1 (2)(3)spacing 16 <-> spacing 6-6,5-8 or 10	0179 623.03
BJDP2 (2)(3)spacing 16 <-> spacing 12	0179 624.04
EP12 3 blocks	0163 430.26
EP16 4 blocks	0163 431.13
VSP16	0173 147.20
IDT16	0168 689.13

Type	Part numbers
FEM16 th. 3,0 mm	0118 233.27
SCF16 th. 3,0 mm	0113 101.17
SCFCV1.2 (1) th. 3,0 mm	0116 795.11
SCFEX1 (1) th. 2,4 mm	0103 619.04
SCFEX3 (1) th. 2,4 mm	0103 620.01
CPM (for SCF16...)	0187 312.14
CPV1.2 (for SCFCV1.2...)	0176 816.12

*Central quick connect tabs

2 quick-connect outputs for 6.3 x 0.8 series 250 tabs (2 tabs) or 2.8 x 0.8 series 110 tabs (4 tabs)



Note : (1) Separator end section snapped on rail.
 (2) Use of these accessories requires the user to cut out the partition.
 (3) See column "various applications" on previous pages.
 (4) Maximum withstand current : 8 A for quick-connect connection for 2,8 x 0,8 mm tabs and 20 A for quick-connect connection for 6,3 x 0,8 mm tabs.