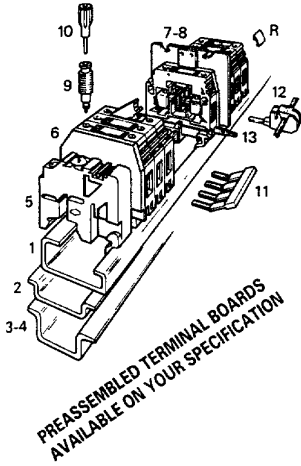


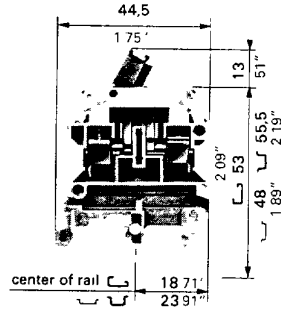
Compression clamp switch terminal blocks short blades

* 147 488*



**M 4/6.SN
M 4/6.SN2 M 4/6.SN3**

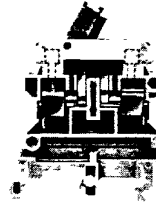
Spacing 6 mm + 0,05 (238")



6 mm block - switch connection by blade

M 4/6.SNT

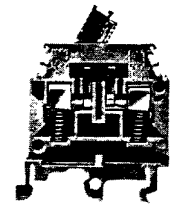
Spacing 6 mm + 0,05 (238")



M 4-6 SN equipped with two test socket-screws

M 4/6.SNTS

Spacing 6 mm + 0,05 (238")



M 4/6 SN equipped with two test socket-screws with pressure spring under wire-clamp

Type	Part number	Type	Part number	Type	Part number
Grey body, orange blade M 4/6.SN	115 214.11	Grey body, orange blade with test sockets, DIA. 2 0 mm/.079"	M 4/6.SNT 115 215.12	Grey body orange blade M 4/6.SNTS	115 229 20
Orange body, orange blade M 4/6.SN2	105 022 13	With test sockets, DIA. 2.3 mm/.091"	M 4/6.SNTA		
Grey body, light-grey blade M 4/6.SN3	115 404.11				
Blue body Special order M4/6.SN	125 214.13				

Characteristics

	DIN-VDE	UL	CSA	NFC-UTE	DIN-VDE	UL	CSA	NFC-UTE	DIN-VDE	UL	CSA	NFC-UTE		
													Wire size (see generalities)	Stranded wire
Rated voltage	V	~ AC	500 Gr C	600	300	500 Cat C	500 Gr C	600	300	500 Gr C	500 Gr C	300	300	500 Cat C
		= DC	600 Gr C			500 Cat C	600 Gr C			600 Gr C	600 Gr C			500 Cat C
Rated current	A		10	10	10	10	10	10	10	10	10	10	10	10
Rated wire size			4 mm ²	12 AWG	12 AWG	2,5 mm ²	4 mm ²	12 AWG	12 AWG	2,5 mm ²	4 mm ²	12 AWG	12 AWG	2,5 mm ²
Other characteristics		Wire stripping length	9,5 mm	37"	Recommended screwdriver	4 mm	Recommended torque	0,4-0,6 Nm	3 5-5 3 lb in	Protection	IP 20	NEMA 1		
		Wire stripping length	9,5 mm	37"	Recommended screwdriver	4 mm	Recommended torque	0,4-0,6 Nm	3 5-5 3 lb in	Protection	IP 20	NEMA 1		
		Wire stripping length	9,5 mm	37"	Recommended screwdriver	4 mm	Recommended torque	0,4-0,6 Nm	3 5-5 3 lb in	Protection	IP 20	NEMA 1		

Approvals (Contact Entelec)

Accessories	Type	Part number	Type	Part number	Type	Part number	
1 Rail 32x15	DIN 1	PR1 Z2	163 050 04	PR1 Z2	163 050.04	PR1 Z2	163 050.04
2 Rail 35x7,5x1	DIN 3	PR30	173 220 05	PR30	173 220.05	PR30	173 220.05
3 Rail 35x15x2,3	DIN 3	PR4	168 500.12	PR4	168 500.12	PR4	168 500.12
4 Rail 35x15x1,5		PR5	101 598 26	PR5	101 598.26	PR5	101 598.26
5 End stop (all rails)		BAM	103 002.26	BAM	103 002.26	BAM	103 002.26
6 End section	grey	FEM6	118 368.16	FEM6	118 368.16	FEM6	118 368.16
	orange	FEM6	103 126.16				
7 Separator end section (block)	grey	SCF6	118 707 03	SCF6	118 707 03	SCF6	118 707 03
8 Separator end section (rail)		SCFM6	114 825.05	SCFM6	114 825.05	SCFM6	114 825 05
9 Test device		DCJ	173 059.03				
10 Test plug		FC	(see access)	FC	(see access)	FC	(see access)
11 Comb type jumper bar		PC61	163 311 22	PC61	163 311.22	PC61	163 311 22
12 IDC jumper		AD2,5	114 205.20	AD2,5	114 205.20	AD2,5	114 205.20
13 Shielding connector		CBM	(see access)	CBM	(see access)	CBM	(see access)

R See markers and other accessories Marking method