



Copyright FCI



FCIconnect.com



1 | 2

3 |

4

| |
|-------------------|
| PRODUCT NUMBER |
| 20020130-XXXXXXLF |

20020130- [] [] [] [] A 0 [] L F

PITCH
 C: 3.50 mm
 D: 3.81 mm
 G: 5.00 mm
 H: 5.08 mm

POLES
 02: 2 POLES
 03: 3 POLES
 04: 4 POLES
 24: 24 POLES

LF : DENOTED RoHS COMPATIBLE

1 : STANDARD PRODUCT
W/ BOX PACKING

HOUSING CODE

| CODE | COLOR | AVAILABILITY |
|------|-------------------|-----------------|
| 1 | GREEN(RAL 6018/T) | STANDARD |
| 2 | BLACK | ON REQUEST ONLY |
| 3 | GREY(RAL 7004/P) | ON REQUEST ONLY |
| 4 | BLUE(RAL 5015/A) | ON REQUEST ONLY |

| PROPERTY TABLE | | | | |
|---------------------------|----------|----------|----------|----------|
| FCI SERIES NAME | 30-350 | 30-381 | 30-500 | 30-508 |
| PITCH (mm) | 3.50 | 3.81 | 5.00 | 5.08 |
| VOLTAGE RATING (VAC) | 300 | 300 | 300 | 300 |
| CURRENT RATING (A) | cULus | 8 | 8 | 15 |
| | VDE | 10 | 10 | NA |
| WITHSTANDING VOLTAGE (kV) | cULus | 1.6 | 1.6 | 1.6 |
| | VDE | 2.5 | 2.5 | NA |
| OPERATING TEMP. (°C) | -40~+115 | -40~+115 | -40~+115 | -40~+115 |
| SOLDERING TEMP. (°C) | 250±10 | 250±10 | 250±10 | 250±10 |
| | (5 sec.) | (5 sec.) | (5 sec.) | (5 sec.) |
| POLES AVAILABLE | 02~24 | 02~24 | 02~24 | 02~24 |
| SAFETY CERTIFICATE | | | | |

NOTES:

- MATERIALS**
1-1 HOUSING: THERMAL PLASTIC RESIN, UL 94V-0 RATED.
1-2 TERMINAL: COPPER ALLOY, TIN PLATED.
- PRODUCT SPECIFICATION REFER TO FCI GS-12-625.**
- BOXED PACKAGING, DETAILED PRODUCT PACKING SPECIFICATION REFER TO FCI GS-14-1394.**
- FCI, SAFETY CERTIFICATE LOGO AND SERIES NAME TO BE SHOWN ON PRODUCT SURFACE.**
- THE PRODUCTS WHERE THE PART NUMBER END IN "LF" MEET THE EUROPEAN UNION DIRECTIVE AND OTHER COUNTRY REGULATIONS AS DESCRIBED IN GS-22-008.
- RECOMENDED SOLDERING PROCESS BY WAVE SOLDER.

| | | | | | | | | | |
|-------------|--------------------|----------------------|--------------------|------------------------------------|---|---|---|------|------------------|
| mat'l. code | surface ASME Y14.5 | tolerance ASME Y14.5 | projection | product family | | | | | |
| ltr | ecn no | dr | date | TERMINAL BLOCK | | | | | |
| A | T10-0099 | WL | 070110 | title | | | | | |
| B | T10-0161 | WL | 101210 | TERMINAL BLOCK | | | | | |
| C | T11-0013 | WL | 040811 | PLUGGABLE SIGNAL, SOCKET 45° ANGLE | | | | | |
| | | dr | WENDY CHEN 062310 | dwg no | | | | | |
| | | enrg | JASON HSU 062310 | 20020130 | | | | | |
| | | chr | GARY HSIEH 062310 | sheet 1 of 5 size | | | | | |
| | | appd | JOSEPH HSIA 062310 | A4 | | | | | |
| sheet index | revision sheet | C | C | C | C | C | C | type | CUSTOMER Drawing |
| | | 1 | 2 | 3 | 4 | 5 | | | |

form: A4mmXLc

1 |

2 |

PDM: Rev:C 3 | STATUS Released Printed: Apr 21, 2011 4



Copyright FCI



FCIconnect.com

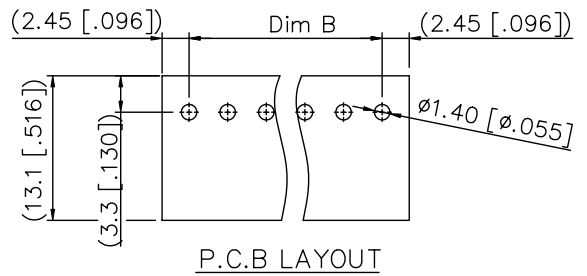
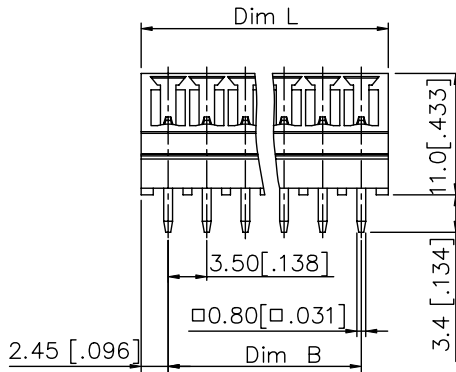
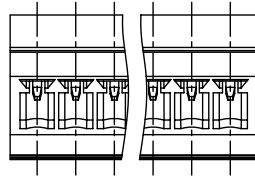


1 | 2

3 |

4

| PRODUCT NUMBER | SERIES NAME | PITCH |
|--------------------|-------------|---------|
| 20020130-CXXXXXLFF | 30-350 | 3.50 mm |



| POLE | X | | 2 | 3 | 4 | 5 | 6 | 7 | 8 |
|-------|--------------|--------------|--------------|--------------|--------------|--------------|--------------|--------------|-------------|
| DIM.L | X | | 8.4[.331] | 11.9[.468] | 15.4[.606] | 18.9[.744] | 22.4[.881] | 25.9[1.019] | 29.4[1.157] |
| DIM.B | X | | 3.50[.138] | 7.00[.276] | 10.50[.413] | 14.00[.551] | 17.50[.689] | 21.00[.827] | 24.50[.965] |
| Tol. | X | | ±0.10[.004] | | | ±0.15[.006] | | | ±0.20[.008] |
| POLE | 9 | 10 | 11 | 12 | 13 | 14 | 15 | 16 | |
| DIM.L | 32.9[1.295] | 36.4[1.433] | 39.9[1.571] | 43.4[1.708] | 46.9[1.846] | 50.4[1.984] | 53.9[2.122] | 57.4[2.259] | |
| DIM.B | 28.00[1.102] | 31.50[1.240] | 35.00[1.378] | 38.50[1.516] | 42.00[1.654] | 45.5[1.791] | 49.0[1.929] | 52.50[2.067] | |
| Tol. | ±0.20[.008] | | | | ±0.25[.010] | | | | |
| POLE | 17 | 18 | 19 | 20 | 21 | 22 | 23 | 24 | |
| DIM.L | 60.9[2.397] | 64.4[2.535] | 67.9[2.673] | 71.4[2.811] | 74.9[2.948] | 78.4[3.086] | 81.9[3.224] | 85.4[3.362] | |
| DIM.B | 56.00[2.205] | 59.50[2.342] | 63.00[2.480] | 66.50[2.618] | 70.00[2.756] | 73.50[2.894] | 77.00[3.031] | 80.50[3.169] | |
| Tol. | ±0.25[.010] | | ±0.30[.012] | | | | | | |

| | | | | |
|---------------------------------------|--------------------|----------------------|------------|------------------------------------|
| mat'l. code | surface ASME Y14.5 | tolerance ASME Y14.5 | projection | product family |
| ltr | ecn | no | dr | date |
| tolerances unless otherwise specified | | | | title |
| c | angles | MM | INCH | TERMINAL BLOCK |
| | X±0.5 | X.X±0.3 | X.XX±0.1 | PLUGGABLE SIGNAL, SOCKET 45° ANGLE |
| | X'±1" | | | scale |
| | dr | WENDY CHEN | 062310 | dwg no |
| | enr | JASON HSU | 062310 | sheet 2 of 5 |
| | chr | GARY HSIEH | 062310 | size |
| | appd | JOSEPH HSIA | 062310 | 20020130 |
| sheet index | revision sheet | | | A4 |
| | | | | type |
| | | | | CUSTOMER Drawing |

form: A4mmXlc

1 |

2 |

PDM: Rev:C 3 | STATUS Released Printed: Apr 21, 2011 4



Copyright FCI



FCIconnect.com

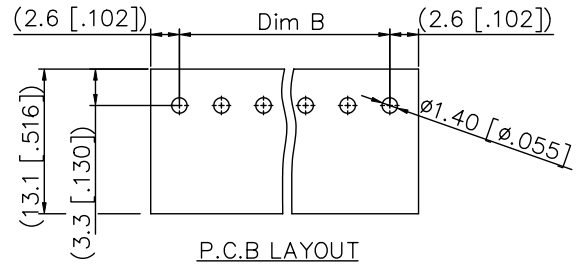
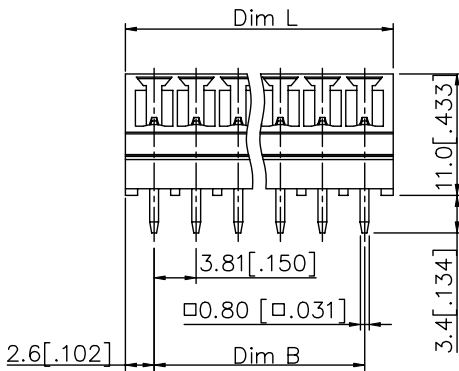
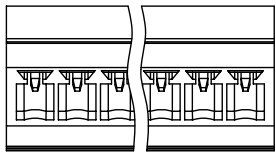


1 | 2

3 |

4

| PRODUCT NUMBER | SERIES NAME | PITCH |
|------------------|-------------|---------|
| 20020130-DXXXXXL | 30-381 | 3.81 mm |



| POLE | 2 | 3 | 4 | 5 | 6 | 7 | 8 | |
|-------|--------------|--------------|--------------|--------------|--------------|--------------|--------------|--------------|
| Dim.L | 9.01[.300] | 12.82[.450] | 16.63[.600] | 20.44[.750] | 24.25[.900] | 28.06[1.050] | 31.87[1.200] | |
| Dim.B | 3.81[.150] | 7.62[.300] | 11.43[.450] | 15.24[.600] | 19.05[.750] | 22.86[.900] | 26.67[1.050] | |
| Tol. | ±0.10[.004] | | ±0.15[.006] | | | ±0.20[.008] | | |
| POLE | 9 | 10 | 11 | 12 | 13 | 14 | 15 | 16 |
| Dim.L | 35.68[1.350] | 39.49[1.500] | 43.3[1.650] | 47.11[1.800] | 50.92[1.950] | 54.73[2.100] | 58.54[2.250] | 62.35[2.400] |
| Dim.B | 30.48[1.200] | 34.29[1.350] | 38.10[1.500] | 41.91[1.650] | 45.72[1.800] | 49.53[1.950] | 53.34[2.100] | 57.15[2.250] |
| Tol. | ±0.20[.008] | | | ±0.25[.010] | | | | |
| POLE | 17 | 18 | 19 | 20 | 21 | 22 | 23 | 24 |
| Dim.L | 66.16[2.550] | 69.97[2.700] | 73.78[2.850] | 77.59[3.000] | 81.4[3.150] | 85.21[3.300] | 89.02[3.450] | 92.83[3.600] |
| Dim.B | 60.96[2.400] | 64.77[2.550] | 68.58[2.700] | 72.39[2.850] | 76.20[3.000] | 80.01[3.150] | 83.82[3.300] | |
| Tol. | ±0.25[.010] | | | | ±0.30[.012] | | | |

| | | | | |
|--------------------|---------------------------------------|----------------------|------------|------------------------------------|
| mat'l. code | surface ASME Y14.5 | tolerance ASME Y14.5 | projection | product family |
| ltr ecn no dr date | tolerances unless otherwise specified | | MM [INCH] | TERMINAL BLOCK |
| c | angles | X.±0.5 | scale | title |
| | X'±1' | X.X±0.3 | | TERMINAL BLOCK |
| | | X.XX±0.1 | | PLUGGABLE SIGNAL, SOCKET 45° ANGLE |
| | dr WENDY CHEN | 062310 | | dwg no 20020130 |
| | enrg JASON HSU | 062310 | | sheet 3 of 5 |
| | chr GARY HSIEH | 062310 | | size A4 |
| | appd JOSEPH HSIA | 062310 | | type CUSTOMER Drawing |
| sheet index | revision sheet | | | |

form: A4mmXlc

1 |

2 |

PDM: Rev:C 3 | STATUS Released Printed: Apr 21, 2011 4



Copyright FCI



FCIconnect.com

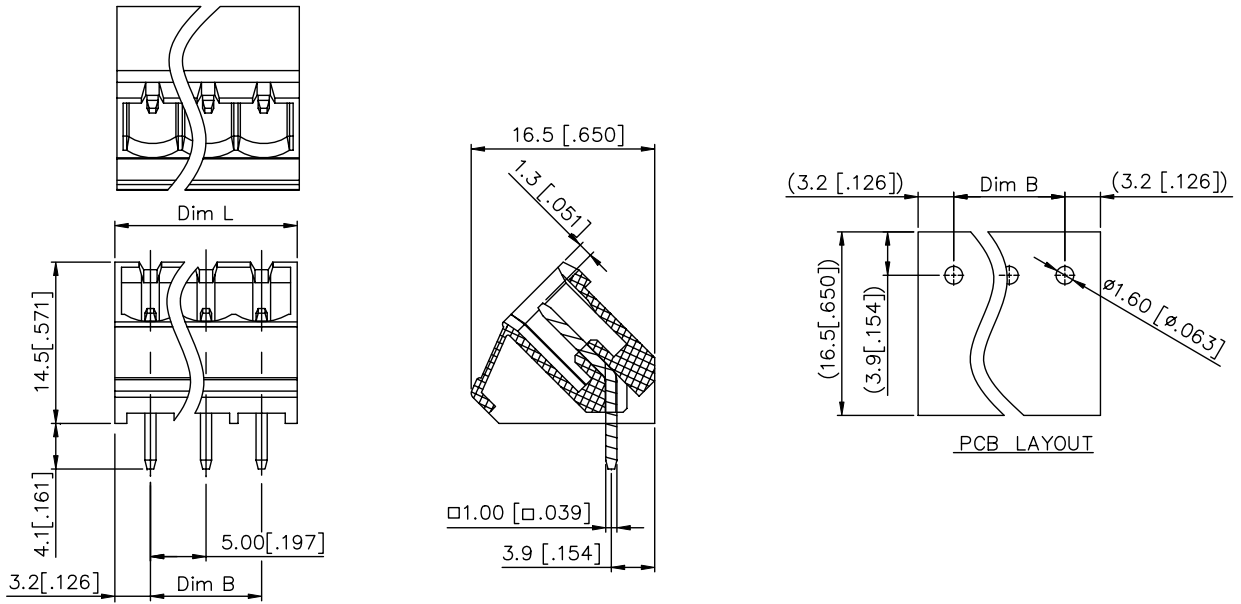


1 | 2

3 |

4

| PRODUCT NUMBER | SERIES NAME | PITCH |
|-------------------|-------------|---------|
| 20020130-GXXXXXLF | 30-500 | 5.00 mm |



| POLE | | 2 | 3 | 4 | 5 | 6 | 7 | 8 |
|-------|-------------|-------------|-------------|--------------|--------------|--------------|--------------|--------------|
| DIM.L | | 11.4[.449] | 16.4[.645] | 21.4[.842] | 26.4[1.039] | 31.4[1.236] | 36.4[1.433] | 41.4[1.630] |
| DIM.B | | 5.0[.196] | 10.0[.394] | 15.0[.590] | 20.0[.787] | 25.0[.984] | 30.0[1.181] | 35.0[1.377] |
| Tol. | | ±0.15[.006] | | | | | | ±0.25[.010] |
| POLE | 9 | 10 | 11 | 12 | 13 | 14 | 15 | 16 |
| DIM.L | 46.4[1.827] | 51.4[2.024] | 56.4[2.220] | 61.4[2.417] | 66.4[2.614] | 71.4[2.811] | 76.4[3.008] | 81.4[3.205] |
| DIM.B | 40.0[1.574] | 45.0[1.771] | 50.0[1.968] | 55.0[2.165] | 60.0[2.362] | 65.0[2.559] | 70.0[2.755] | 75.0[2.952] |
| Tol. | ±0.25[.010] | | | | ±0.30[.012] | | | |
| POLE | 17 | 18 | 19 | 20 | 21 | 22 | 23 | 24 |
| DIM.L | 86.4[3.402] | 91.4[3.598] | 96.4[3.795] | 101.4[3.992] | 106.4[4.189] | 111.4[4.386] | 116.4[4.583] | 121.4[4.780] |
| DIM.B | 80.0[3.149] | 85.0[3.346] | 90.0[3.543] | 95.0[3.74] | 100.0[3.937] | 105.0[4.133] | 110.0[4.330] | 115.0[4.527] |
| Tol. | ±0.30[.012] | | | | ±0.40[.016] | | | |

| | | | | |
|---------------------------------------|--------------------|----------------------|------------|------------------------------------|
| mat'l. code | surface ASME Y14.5 | tolerance ASME Y14.5 | projection | product family |
| itr | ecn | no | dr | date |
| tolerances unless otherwise specified | | | | title |
| c | angles | MM | INCH | TERMINAL BLOCK |
| | X±0.5 | | | PLUGGABLE SIGNAL, SOCKET 45° ANGLE |
| | X.X±0.3 | | | dwg no |
| | X.XX±0.1 | | | 20020130 |
| | | | | sheet 4 of 5 |
| | dr | WENDY CHEN | 062310 | size |
| | enr | JASON HSU | 062310 | A4 |
| | chr | GARY HSIEH | 062310 | |
| | appd | JOSEPH HSIA | 062310 | |
| sheet index | revision | sheet | | type |
| | | | | CUSTOMER Drawing |

form: A4mmXLC

1 |

2 |

PDM: Rev:C 3 | STATUS Released Printed: Apr 21, 2011 4



Copyright FCI



FCIconnect.com

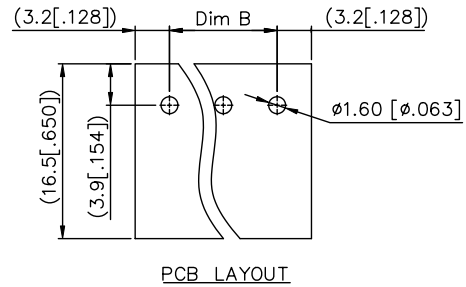
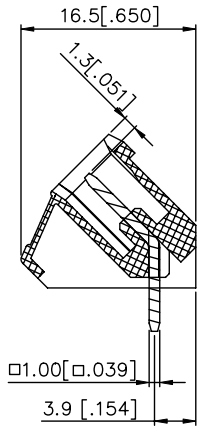
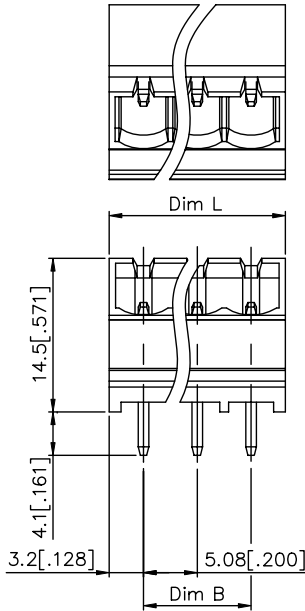


1 | 2

3 |

4

| PRODUCT NUMBER | SERIES NAME | PITCH |
|------------------|-------------|---------|
| 20020130-HXXXXXL | 30-508 | 5.08 mm |



| POLE | 2 | | 3 | 4 | 5 | 6 | 7 | 8 |
|-------|--------------|--------------|--------------|--------------|---------------|---------------|---------------|---------------|
| DIM.L | 11.56[.455] | | 16.64[.655] | 21.72[.855] | 26.8[1.055] | 31.88[1.255] | 36.96[1.455] | 42.04[1.655] |
| DIM.B | 5.08[.200] | | 10.16[.400] | 15.24[.600] | 20.32[.800] | 25.4[1.000] | 30.48[1.200] | 35.56[1.400] |
| Tol. | | | ±0.15[.006] | | | | ±0.25[.010] | |
| POLE | 9 | 10 | 11 | 12 | 13 | 14 | 15 | 16 |
| DIM.L | 47.12[1.855] | 52.2[2.055] | 57.28[2.255] | 62.36[2.455] | 67.44[2.655] | 72.52[2.855] | 77.6[3.055] | 82.68[3.255] |
| DIM.B | 40.64[1.600] | 45.72[1.800] | 50.8[2.000] | 55.88[2.200] | 60.96[2.400] | 66.04[2.600] | 71.12[2.800] | 76.2[3.000] |
| Tol. | ±0.25[.010] | | | | ±0.30[.012] | | | |
| POLE | 17 | 18 | 19 | 20 | 21 | 22 | 23 | 24 |
| DIM.L | 87.76[3.455] | 92.84[3.655] | 97.92[3.855] | 103.0[4.055] | 108.08[4.255] | 113.16[4.455] | 118.24[4.655] | 123.32[4.855] |
| DIM.B | 81.28[3.200] | 86.36[3.400] | 91.44[3.600] | 96.52[3.800] | 101.6[4.000] | 106.68[4.200] | 111.76[4.400] | 116.84[4.600] |
| Tol. | ±0.30[.012] | | | | ±0.40[.016] | | | |

| | | | | |
|---------------------------------------|--------------------|----------------------|------------|------------------------------------|
| mat'l. code | surface ASME Y14.5 | tolerance ASME Y14.5 | projection | product family |
| ltr | ecn | no | dr | date |
| tolerances unless otherwise specified | | | | title |
| c | angles | X±0.5 | MM | TERMINAL BLOCK |
| | ±1° | X.X±0.3 | [INCH] | PLUGGABLE SIGNAL, SOCKET 45° ANGLE |
| | X'±1' | X.XX±0.1 | scale | dwg no |
| | dr | WENDY CHEN | 062310 | sheet 5 of 5 |
| | enr | JASON HSU | 062310 | size |
| | chr | GARY HSIEH | 062310 | 20020130 |
| | appd | JOSEPH HSIA | 062310 | A4 |
| sheet index | revision sheet | | | type |
| | | | | CUSTOMER Drawing |

form: A4mmXLc

1 |

2 |

PDM: Rev:C 3 | STATUS Released Printed: Apr 21, 2011 4