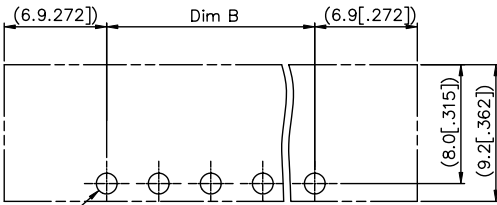
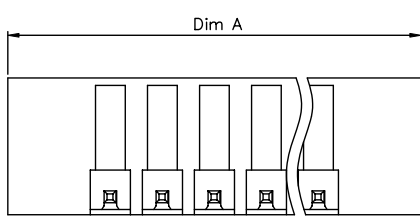
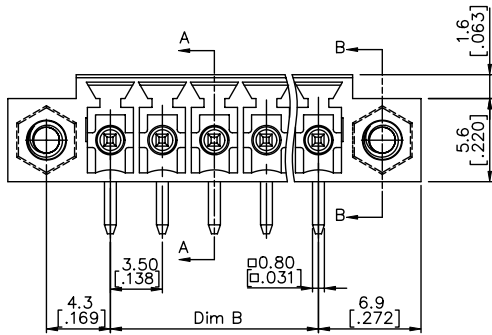


PRODUCT NUMBER	SERIES NAME	PITCH
20020111-CXXXXXXLF	06-350	3.50 mm



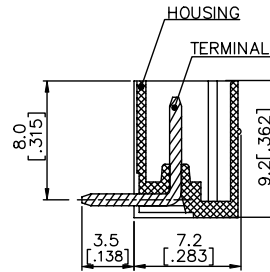
RECOMMENDED PCB LAYOUT

DIMENSION

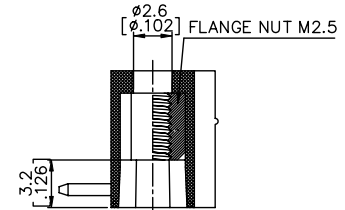
Dim. A	$(N-1)*3.5[.138]+13.8[.543]$
Dim. B	$(N-1)*3.5[.138]$

N= NUMBER OF CONTACTS

2p-6p	$\pm 0.15[\pm .006]$
7p-12p	$\pm 0.20[\pm .008]$
13p-16p	$\pm 0.25[\pm .010]$
17p-24p	$\pm 0.30[\pm .012]$



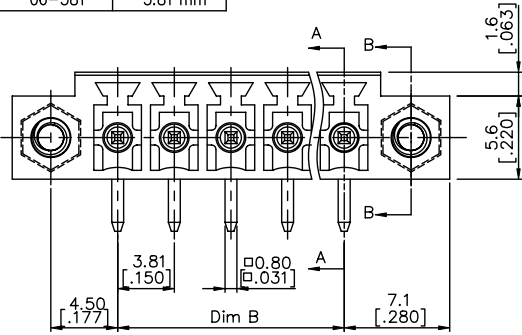
SECTION A-A



SECTION B-B

mat'l. code	surface ASME Y14.5	tolerance ASME Y14.5	projection	product family	
ltr	ecn	no	dr	date	title
E					TERMINAL BLOCK
tolerances unless otherwise specified				MM	TERMINAL BLOCK
angles	X.±0.5	W	INCH	PLUGGABLE, SOCKET, SIGNAL, R/A	
X'±1'	X.X±0.3	scale	W/FLANGE		
dr	WENDY CHEN	042610	FCI	dwg no	sheet 2 of 5
enr	JASON HSU	042610		20020111	A4
chr	GARY HSIEH	042610			
appd	JOSEPH HSIA	042610		type	CUSTOMER Drawing
sheet index	revision sheet				

PRODUCT NUMBER	SERIES NAME	PITCH
20020111-DXXXXXXLF	06-381	3.81 mm

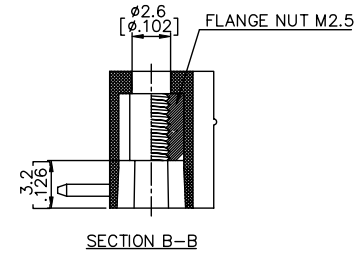
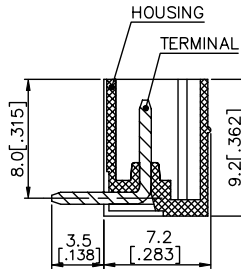
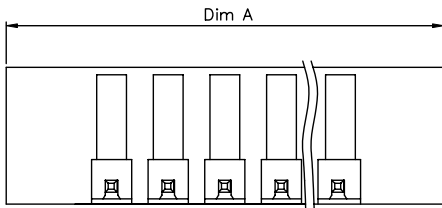


DIMENSION

Dim .A	$(N-1)*3.81[.150]+14.2[.559]$
Dim .B	$(N-1)*3.81[.150]$

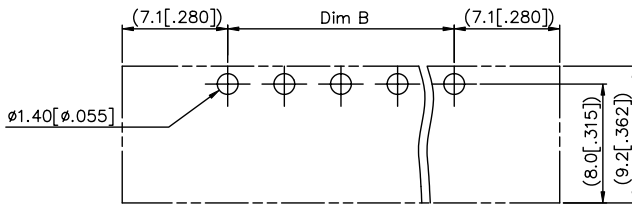
N= NUMBER OF CONTACTS

2p-6p	$\pm 0.15[\pm .006]$
7p-12p	$\pm 0.20[\pm .008]$
13p-16p	$\pm 0.25[\pm .010]$
17p-24p	$\pm 0.30[\pm .012]$



SECTION B-B

SECTION A-A



RECOMMENDED PCB LAYOUT

mat'l. code	surface ASME Y14.5	tolerance ASME Y14.5	projection	product family
ltr	ecn	no	dr	date
E				
tolerances unless otherwise specified				title
angles	mm	in	scale	TERMINAL BLOCK
X±1°	X.±0.5	X.X±0.3	X.XX±0.1	PLUGGABLE, SOCKET, SIGNAL, R/A W/FLANGE
dr	WENDY CHEN	042610		dwg no
enr	JASON HSU	042610		sheet 3 of 5
chr	GARY HSIEH	042610		size
appd	JOSEPH HSIA	042610		20020111
sheet index	revision sheet			A4
				type
				CUSTOMER Drawing

Copyright FCI



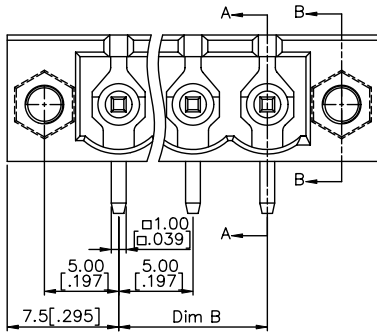
FCIconnect.com

1 | 2

3

4

PRODUCT NUMBER	SERIES NAME	PITCH
20020111-GXXXXXXLF	06-500	5.00 mm



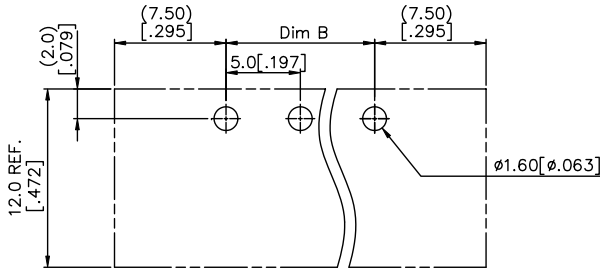
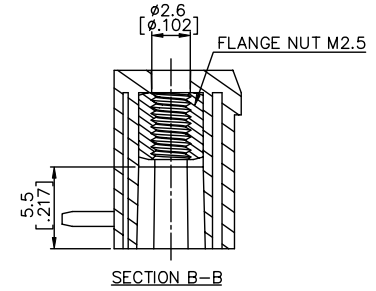
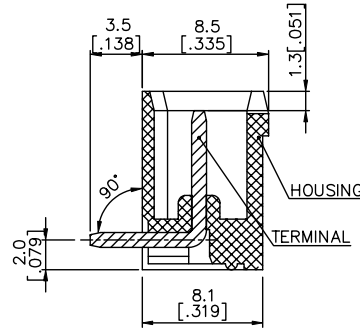
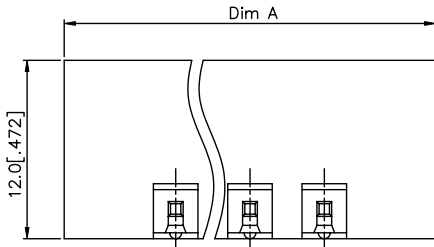
DIMENSION

Dim. A (N+2)*5.0[.197]

Dim. B (N-1)*5.0[.197]

N= NUMBER OF CONTACTS

2p-6p	±0.15[±.006]
7p-12p	±0.20[±.008]
13p-18p	±0.25[±.010]
19p-24p	±0.30[±.012]



mat'l. code	surface ASME Y14.5	tolerance ASME Y14.5	projection	product family
ltr	ecn	no	dr	date
E				
tolerances unless otherwise specified				title
angles	MM	INCH	scale	TERMINAL BLOCK
X±0.5	X.X±0.3	X.XX±0.1		PLUGGABLE, SOCKET, SIGNAL, R/A
X±1				W/FLANGE
dr	WENDY CHEN	042610		dwg no
enr	JASON HSU	042610		sheet 4 of 5
chr	GARY HSIEH	042610		size
appd	JOSEPH HSIA	042610		A4
sheet index	revision sheet			type
				CUSTOMER Drawing

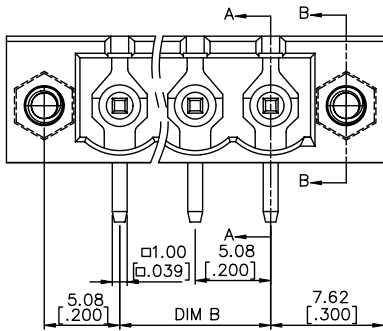
form: A4mmXLc

1 |

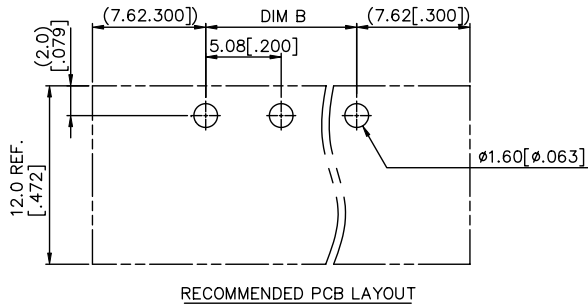
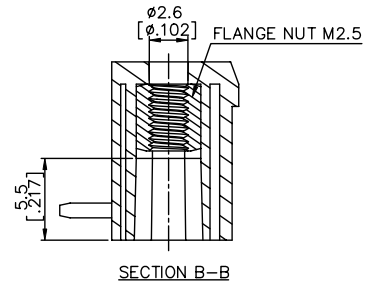
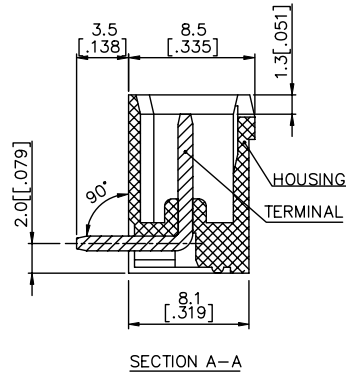
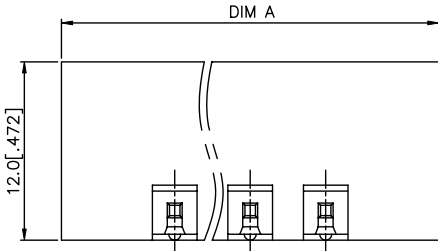
2

PDM: Rev:E 3 | STATUS Released Printed: Apr 21, 2011 4

PRODUCT NUMBER	SERIES NAME	PITCH
20020111-HXXXXXXLF	06-508	5.08 mm



DIMENSION	
Dim. A	$(N+2)*5.08[.200]$
Dim. B	$(N-1)*5.08[.200]$
N= NUMBER OF CONTACTS	
2p-6p	$\pm 0.15[\pm .006]$
7p-12p	$\pm 0.20[\pm .008]$
13p-18p	$\pm 0.30[\pm .012]$
19p-24p	$\pm 0.40[\pm .016]$



mat'l. code	surface ASME Y14.5	tolerance ASME Y14.5	projection	product family	
ltr	ecn	no	dr	date	title
E					TERMINAL BLOCK
					TERMINAL BLOCK
					PLUGGABLE, SOCKET, SIGNAL, R/A
					W/FLANGE
					dwg no
					sheet 5 of 5
					size
					20020111
					A4
					type
					CUSTOMER Drawing
sheet index	revision	sheet			