



1 | 2



3 |

4

PRODUCT NUMBER  
20020108-XXXXXXLF

20020108- [ ] [ ] [ ] [ ] A 0 [ ] LF

PITCH  
C : 3.50 mm  
D : 3.81 mm  
G : 5.00 mm  
H : 5.08 mm

POLES  
02: 2 POLES  
03: 3 POLES  
04: 4 POLES  
:  
:  
:  
24: 24 POLES

LF : DENOTED ROHS COMPATIBLE

1 : STANDARD PRODUCT  
W/ BOX PACKING

PROPERTY TABLE				
FCI SERIES NAME	06-350	06-381	06-500	06-508
PITCH (mm)	3.50	3.81	5.00	5.08
VOLTAGE RATING (VAC)	300	300	300	300
CURRENT RATING (A)	cULus	10	10	12
	VDE	10.5	10.5	NA
WITHSTANDING VOLTAGE (kV)	cULus	1.6	1.6	1.6
	VDE	2.5	2.5	NA
OPERATING TEMP. (°C)	-40~+115	-40~+115	-40~+115	-40~+115
SOLDERING TEMP. (°C)	250±10	250±10	250±10	250±10
	(5 sec.)	(5 sec.)	(5 sec.)	(5 sec.)
POLES AVAILABLE	02~24	02~24	02~24	02~24
SAFETY CERTIFICATE				

HOUSING CODE

CODE	COLOR	AVAILABILITY
1	GREEN(RAL 6018/T)	STANDARD
2	BLACK	ON REQUEST ONLY
3	GREY(RAL 7004/P)	ON REQUEST ONLY
4	BLUE(RAL 5015/A)	ON REQUEST ONLY

NOTES:

- MATERIALS  
1-1 HOUSING: THERMALPLASTIC RESIN, UL 94V-0 RATED.  
1-2 TERMINAL: COPPER ALLOY, TIN PLATED.
- PRODUCT SPECIFICATION REFER TO FCI GS-12-625.
- BOXED PACKAGING,  
DETAILED PRODUCT PACKING SPECIFICATION REFER TO FCI GS-14-1394.
- FCI, SAFETY CERTIFICATE LOGO AND SERIES NAME TO BE SHOWN ON PRODUCT SURFACE.
- THE PRODUCTS WHERE THE PART NUMBER END IN "LF" MEET THE EUROPEAN UNION DIRECTIVE AND OTHER COUNTRY REGULATIONS AS DESCRIBED IN GS-22-008.
- RECOMENDED SOLDERING PROCESS BY WAVE SOLDER.

mat'l. code	surface ASME Y14.5	tolerance ASME Y14.5	projection	product family
ltr	ecn no	dr	ddate	tolerances unless otherwise specified
A	T10-0062	WL	050710	angles
B	T10-0155	WL	093010	X±0.5
C	T10-0187	WL	121410	X.X±0.3
D	T11-0019	WL	040611	X.XX±0.1
		dr	WENDY CHEN	042310
		enr	JASON HSU	042310
		chr	GARY HSIEH	042310
		appd	JOSEPH HSIA	042310
sheet index	revision sheet	D	D	D
		1	2	3



title  
TERMINAL BLOCK  
PLUGGABLE, SOCKET, SIGNAL, STRAIGHT  
W/FLANGE

dwg no  
20020108

sheet 1 of 5 size  
A4

type  
CUSTOMER Drawing



Copyright FCI



FCIconnect.com

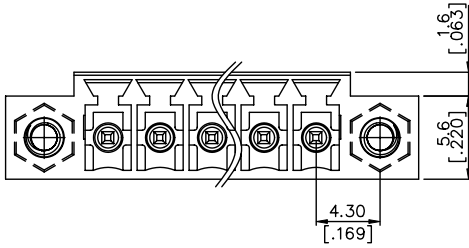


1 | 2

3

4

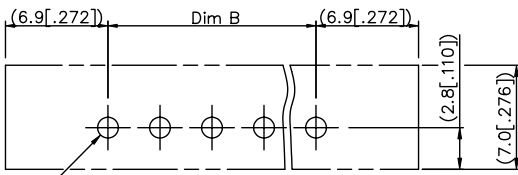
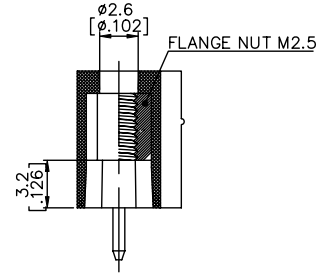
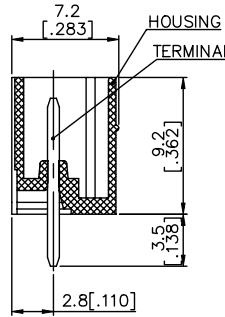
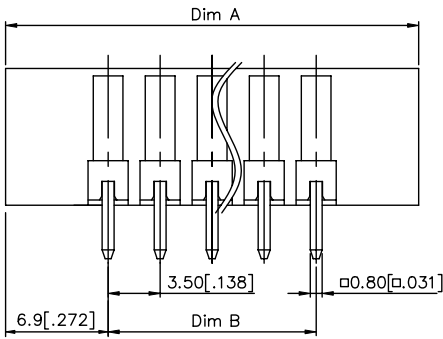
PRODUCT NUMBER	SERIES NAME	PITCH
20020108-CXXXXXL	06-350	3.50 mm



N= Number of contacts

Dim. A	$(N-1)*3.5[.138]+13.8[.543]$
Dim. B	$(N-1)*3.5[.138]$

2p-6p	$\pm 0.15[.006]$
7p-12p	$\pm 0.20[.008]$
13p-16p	$\pm 0.25[.010]$
17p-24p	$\pm 0.30[.012]$



$\phi 1.40[\phi .055]$

RECOMMENDED PCB LAYOUT

mat'l. code	surface ASME Y14.5	tolerance ASME Y14.5	projection	product family
ltr	ecn	no	dr	date
D	tolerances unless otherwise specified			title
angles	X. $\pm$ 0.5	MM	MM	TERMINAL BLOCK
X' $\pm$ 1'	X.X $\pm$ 0.3	[INCH]	[INCH]	PLUGGABLE, SOCKET, SIGNAL, STRAIGHT W/FLANGE
	X.XX $\pm$ 0.1	scale	scale	dwg no
dr	WENDY CHEN	042310	FCI	sheet 2 of 5
enr	JASON HSU	042310		20020108
chr	GARY HSIEH	042310		A4
appd	JOSEPH HSIA	042310		type
sheet index	revision sheet			CUSTOMER Drawing

form: A4mmXLc

1

2

PDM: Rev:D 3 | STATUS Released Printed: Apr 13, 2011 4



Copyright FCI



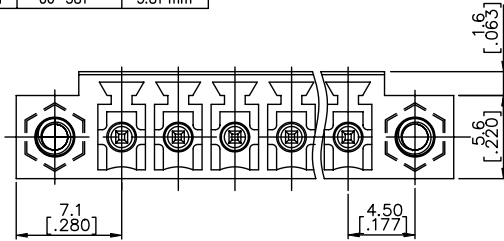
FCIconnect.com

1 | 2

3

4

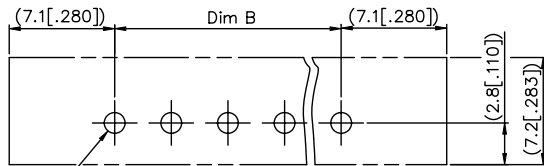
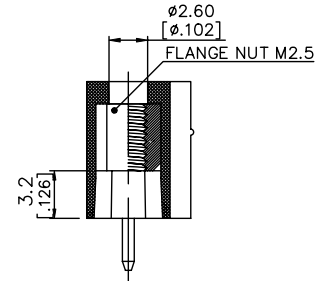
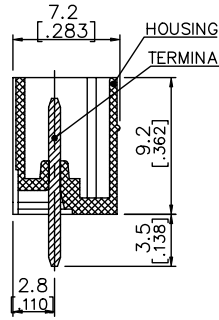
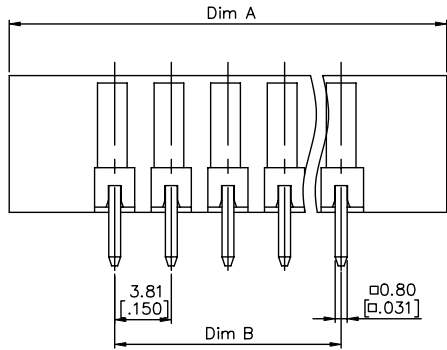
PRODUCT NUMBER	SERIES NAME	PITCH
20020108-DXXXXXLF	06-381	3.81 mm



N= Number of contacts

Dim. A	$(N-1)*3.81[.150]+14.2[.559]$
Dim. B	$(N-1)*3.81[.150]$

2p-6p	$\pm 0.15[.006]$
7p-12p	$\pm 0.20[.008]$
13p-16p	$\pm 0.25[.010]$
17p-24p	$\pm 0.30[.012]$



RECOMMENDED PCB LAYOUT

mat'l. code	surface ASME Y14.5	tolerance ASME Y14.5	projection	product family
ltr	ecn	no	dr	date
D				
	tolerances unless otherwise specified			title
	angles	X. $\pm$ 0.5	MM	TERMINAL BLOCK
	mm	X.X $\pm$ 0.3	[INCH]	PLUGGABLE, SOCKET, SIGNAL, STRAIGHT
	X' $\pm$ 1	X.XX $\pm$ 0.1	scale	W/FLANGE
	dr	WENDY CHEN	042310	FCI
	enr	JASON HSU	042310	dwg no
	chr	GARY HSIEH	042310	sheet 3 of 5
	appd	JOSEPH HSIA	042310	size
				A4
sheet index	revision sheet			type
				CUSTOMER Drawing

form: A4mmXLc

1

2

PDM: Rev:D 3 | STATUS Released Printed: Apr 13, 2011 4

Copyright FCI



FCIconnect.com

1 | 2

3

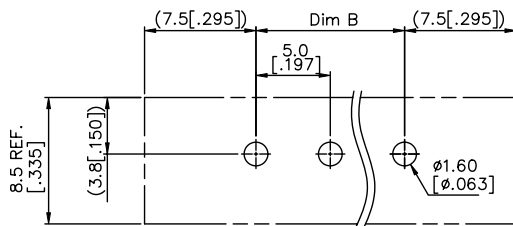
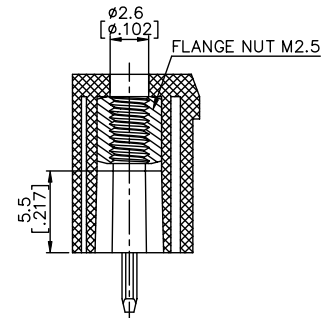
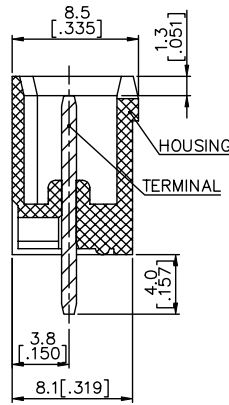
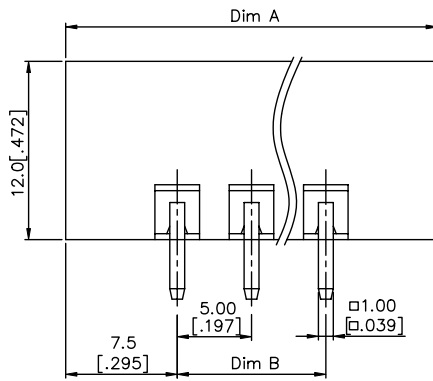
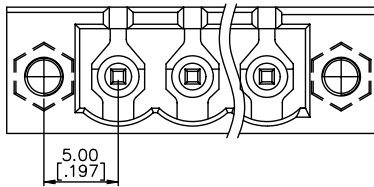
4

PRODUCT NUMBER	SERIES NAME	PITCH
20020108-GXXXXXL	06-500	5.00 mm

N= Number of contacts

Dim. A	(N+2)*5.0[.197]
Dim. B	(N-1)*5.0[.197]

2p-6p	±0.15[.006]
7p-12p	±0.20[.008]
13p-18p	±0.30[.012]
19p-24p	±0.40[.016]



RECOMMENDED PCB LAYOUT

mat'l. code	surface ASME Y14.5	tolerance ASME Y14.5	projection	product family
ltr	ecn	no	dr	date
D	tolerances unless otherwise specified			title
	angles	X.±0.5	MM	TERMINAL BLOCK
	X'±1'	X.X±0.3	[INCH]	PLUGGABLE, SOCKET, SIGNAL, STRAIGHT
		X.XX±0.1	scale	W/FLANGE
	dr	WENDY CHEN	042310	FCI
	enr	JASON HSU	042310	dwg no
	chr	GARY HSIEH	042310	20020108
	appd	JOSEPH HSIA	042310	sheet 4 of 5
sheet index	revision sheet			size A4
				type CUSTOMER Drawing

form: A4mmXlc

1

2

PDM: Rev:D 3 | STATUS Released Printed: Apr 13, 2011 4

Copyright FCI



FCIconnect.com

1 | 2

3

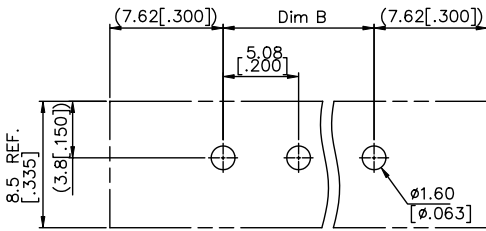
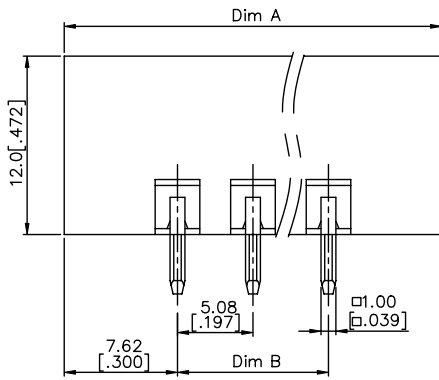
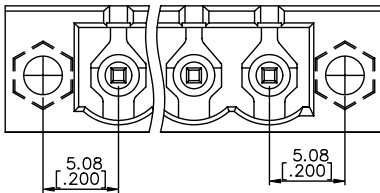
4

PRODUCT NUMBER	SERIES NAME	PITCH
20020108-HXXXXXLF	06-508	5.08 mm

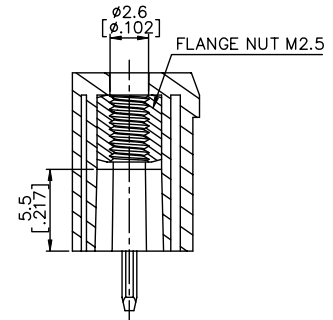
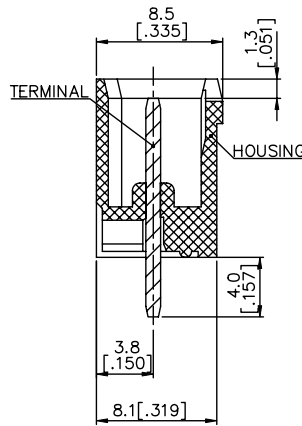
N= Number of contacts

Dim. A	(N+2)*5.08[.200]
Dim. B	(N-1)*5.08[.200]

2p-6p	±0.15[.006]
7p-12p	±0.20[.008]
13p-18p	±0.30[.012]
19p-24p	±0.40[.016]



RECOMMENDED PCB LAYOUT



mat'l. code	surface ASME Y14.5	tolerance ASME Y14.5	projection	product family	TERMINAL BLOCK
ltr	ecn	no	dr	date	title
D					TERMINAL BLOCK PLUGGABLE, SOCKET, SIGNAL, STRAIGHT W/FLANGE
			dr	WENDY CHEN	042310
			enr	JASON HSU	042310
			chr	GARY HSIEH	042310
			appd	JOSEPH HSIA	042310
sheet index	revision	sheet			

form: A4mmXLc

1

2

PDM: Rev:D 3 | STATUS Released Printed: Apr 13, 2011 4