



Copyright FCI



FCIconnect.com



1 | 2

3

4

PRODUCT NUMBER
20020011-XXXXXXLF

20020011 - [] [] [] [] [] [] [] L F

PITCH
C: 3.50 mm
D: 3.81 mm
G: 5.00 mm
H: 5.08 mm

POLES
02: 2 POLES
03: 3 POLES
04: 4 POLES
:
:
:
24: 24 POLES

LF : NOTED RoHS COMPATIBLE
1 : STANDARD PRODUCT
W/ BOX PACKING

PROPERTY TABLE						
FCI SERIES NAME	02-350	02-381	02-500	02-508		
PITCH (mm)	3.50	3.81	5.00	5.08		
VOLTAGE RATING (VAC)	300	300	300	300		
CURRENT RATING (A)	cULus	8	8	12		
	VDE	10	10	NA		
APPLICABLE WIRE RANGE (AWG)	1-WIRE	16~28	16~28	12~24		
	2-WIRE	20	20	18		
WIRE CROSS SECTION (mm ²)	SOLID	1-WIRE	1.5	1.5	2.5	2.5
		2-WIRE	0.5	0.5	1.0	1.0
	STRANDED	1-WIRE	1.5	1.5	2.5	2.5
		2-WIRE	0.75	0.75	1.5	1.5
OPENING CONTACT HOUSING(mm ²)	2.8x1.7	2.8x1.7	2.6x3.3	2.6x3.3		
WIRE STRIP LENGTH(mm)	6~7	6~7	6~7	6~7		
TORQUE +/-10% (N-m/Lb-in)	0.19/1.7	0.19/1.7	0.4/3.5	0.4/3.5		
WITHSTANDING VOLTAGE (kV)	cULus	1.6	1.6	1.6		
	VDE	2.5	2.5	NA		
OPERATING TEMP. (°C)	-40~+115	-40~+115	-40~+115	-40~+115		
POLES AVAILABLE	02~24	02~24	02~24	02~24		
SAFETY CERTIFICATE						

SCREW CODE

CODE	SCREW TYPE	AVAILABILITY
A	-/+	ON REQUEST ONLY
B	-	STANDARD

ALL FLANGE SCREWS ARE ONLY AVAILABLE IN +/- COMBINATION SCREW TYPES.

HOUSING CODE

CODE	COLOR	AVAILABILITY
1	GREEN(RAL 6018/T)	STANDARD
2	BLACK	ON REQUEST ONLY
3	GREY(RAL 7004/P)	ON REQUEST ONLY
4	BLUE(RAL 5015/A)	ON REQUEST ONLY

NOTES:

- MATERIALS
 - HOUSING: THERMALPLASTIC RESIN, UL 94V-0 RATED.
 - SCREW: STEEL, ZINC PLATED.
 - CLAMP: COPPER ALLOY, NICKEL PLATED.
 - TERMINAL: COPPER ALLOY, TIN PLATED.
- PRODUCT SPECIFICATION REFER TO FCI GS-12-625.
- PRODUCT PACKING SPECIFICATION REFER TO FCI GS-14-1394.
- FCI, SAFETY CERTIFICATE LOGO AND SERIES NAME TO BE SHOWN ON PRODUCT SURFACE.
- THE PRODUCTS WHERE THE PART NUMBER END IN "LF" MEET THE EUROPEAN UNION DIRECTIVE AND OTHER COUNTRY REGULATIONS AS DESCRIBED IN GS-22-008.

mat'l. code		surface	tolerance	projection	product family
		ASME Y14.5	ASME Y14.5		TERMINAL BLOCK
itr	ecp no dr	date	tolerances unless otherwise specified	MM	title
A	T10-0082	WL	080510	X.±0.5	TERMINAL BLOCK
B	T10-0140	WL	090310	X.X±0.3	PLUGGABLE PLUG, BACK SIDE HOOK, W/FLANGE
C	T10-0158	WL	100410	X±1	scale
D	T11-0013	WL	040811	X.XX±0.1	dwg no
		dr	WENDY CHEN	051810	sheet 1 of 5
		enr	JASON HSU	051810	size
		chr	GARY HSIEH	051810	20020011
		app	JOSEPH HSIA	051810	A4
					type
					CUSTOMER Drawing
sheet index	revision sheet	D 1	D 2	D 3	D 4

form: A4mmXLC

1

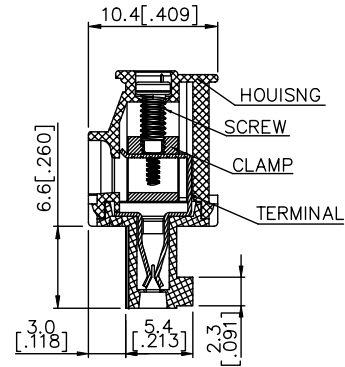
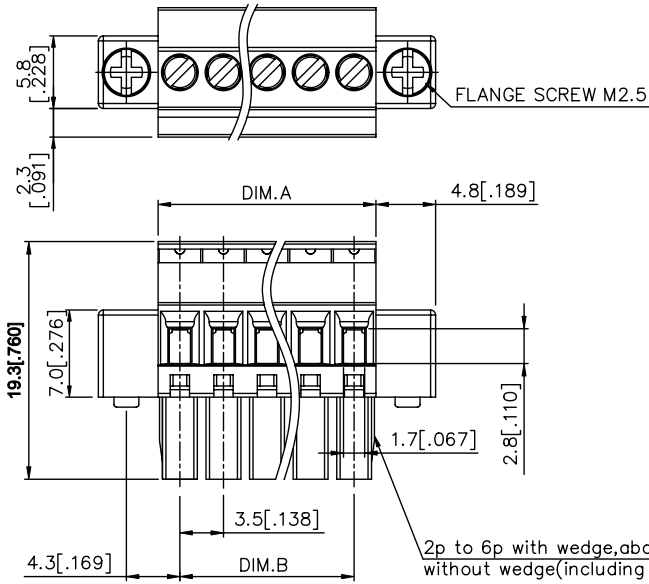
2

PDM: Rev:D 3 | STATUS Released Printed: Apr 21, 2011 4

PRODUCT NUMBER	SERIES NAME	PITCH
20020011-CXXXXXXLF	02-350	3.50 mm

N = Number of poles
 Dim A = $N \times 3.50$ [.138]
 Dim B = $(N-1) \times 3.50$ [.138]

poles	Dim A	Dim B
2-4p	± 0.10 [.004]	± 0.10 [.004]
5-7p	± 0.15 [.006]	± 0.15 [.006]
8-12p	± 0.20 [.008]	± 0.20 [.008]
13-18p	± 0.25 [.010]	± 0.25 [.010]
19-24p	± 0.30 [.012]	± 0.30 [.012]



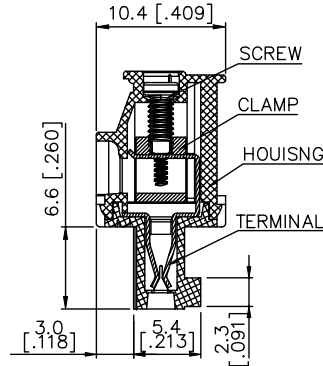
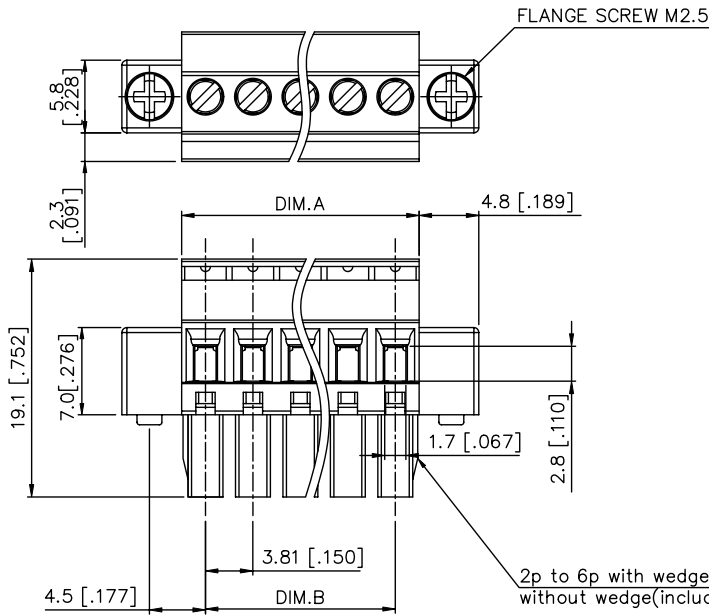
mat'l. code	surface ASME Y14.5	tolerance ASME Y14.5	projection	product family	TERMINAL BLOCK
ltr	ecn	no	dr	date	tolerances unless otherwise specified
D					angles
					X.±0.5
					X.X±0.3
					X.XX±0.1
			dr	WENDY CHEN	051810
			enr	JASON HSU	051810
			chr	GARY HSIEH	051810
			appd	JOSEPH HSIA	051810
sheet index	revision	sheet			

title	TERMINAL BLOCK PLUGGABLE PLUG, BACK SIDE HOOK, W/FLANGE
dwg no	20020011
sheet 2 of 5	size A4
type	CUSTOMER Drawing

PRODUCT NUMBER	SERIES NAME	PITCH
20020011-DXXXXXXLF	02-381	3.81 mm

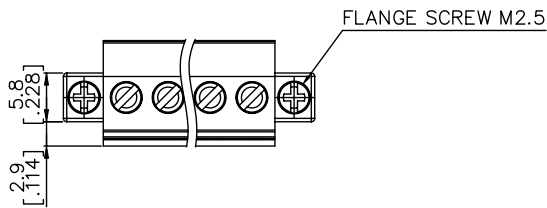
N = Number of poles
 Dim A=Nx3.81[.150]
 Dim B=(N-1)x3.81[.150]

poles	Dim A	Dim B
2-6P	±0.15[.006]	±0.15[.006]
7-12p	±0.20[.008]	±0.20[.008]
13-17p	±0.25[.010]	±0.25[.010]
18-24p	±0.30[.012]	±0.30[.012]



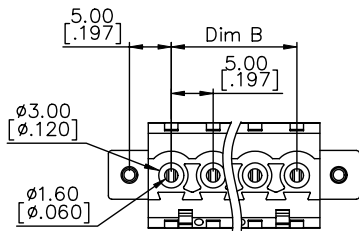
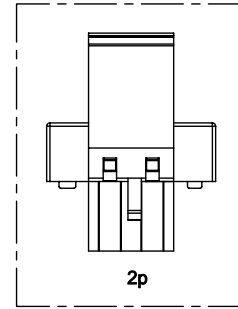
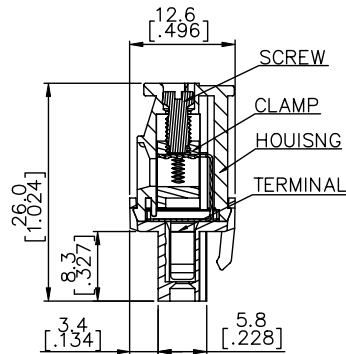
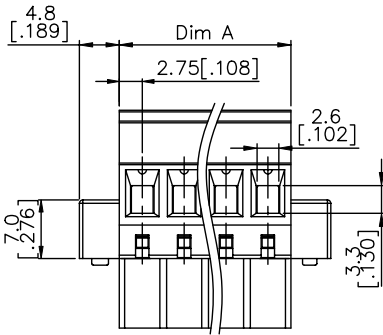
mat'l. code	surface ASME Y14.5	tolerance ASME Y14.5	projection	product family TERMINAL BLOCK
ltr	ecn	no	dr	date
D				
	angles	X.±0.5	MM	title
	X'±1'	X.X±0.3	[INCH]	TERMINAL BLOCK
		X.XX±0.1	scale	PLUGGABLE PLUG, BACK SIDE HOOK, W/FLANGE
	dr	WENDY CHEN	051810	FCI
	enr	JASON HSU	051810	dwg no
	chr	GARY HSIEH	051810	sheet 3 of 5
	appd	JOSEPH HSIA	051810	20020011
sheet	revision			size
index	sheet			A4
				type
				CUSTOMER Drawing

PRODUCT NUMBER	SERIES NAME	PITCH
20020011-GXXXXXXLF	02-500	5.00 mm



N = Number of poles
 Dim A = $N \times 5.00 [.197] + 0.5 [.020]$
 Dim B = $(N - 1) \times 5.00 [.197]$

poles	Dim A	Dim B
2-6p	$\pm 0.15 [.006]$	$\pm 0.15 [.006]$
7-12p	$\pm 0.20 [.008]$	$\pm 0.20 [.008]$
13-18p	$\pm 0.30 [.012]$	$\pm 0.30 [.012]$
19-24p	$\pm 0.40 [.016]$	$\pm 0.40 [.016]$

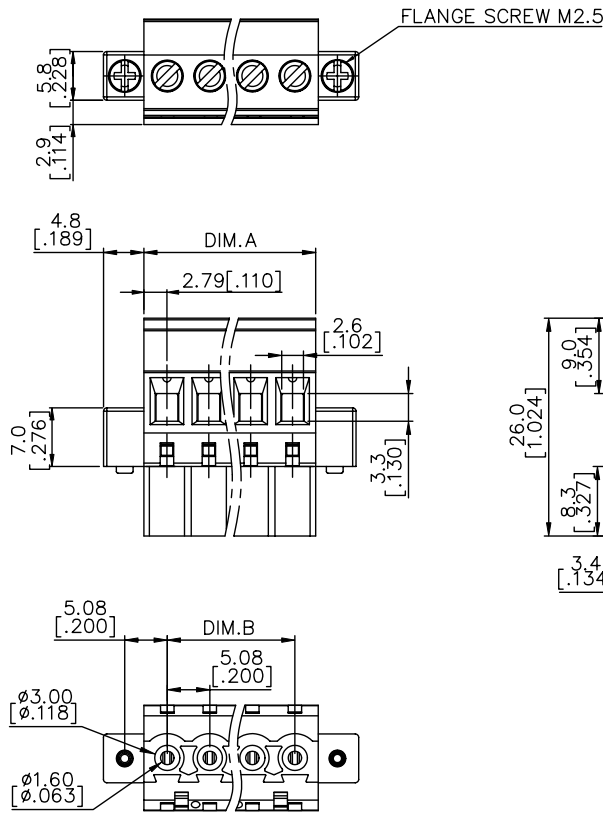


mat'l. code	surface ASME Y14.5	tolerance ASME Y14.5	projection	product family
ltr	ecn	no	dr	date
D				
tolerances unless otherwise specified				title
angles	MM	INCH	scale	TERMINAL BLOCK
X \pm 1'	X \pm 0.5	X.X \pm 0.3	X.XX \pm 0.1	TERMINAL BLOCK PLUGGABLE PLUG, BACK SIDE HOOK, W/FLANGE
dr	WENDY CHEN	051810		dwg no
enr	JASON HSU	051810		sheet 4 of 5
chr	GARY HSIEH	051810		size
appd	JOSEPH HSIA	051810		20020011
sheet index	revision sheet			A4
				type
				CUSTOMER Drawing

PRODUCT NUMBER	SERIES NAME	PITCH
20020011-HXXXXXLF	02-508	5.08 mm

N = Number of poles
 Dim A = $N \times 5.08 [.200] + 0.5 [.020]$
 Dim B = $(N - 1) \times 5.08 [.200]$

poles	Dim A	Dim B
2-6p	$\pm 0.15 [.006]$	$\pm 0.15 [.006]$
7-12p	$\pm 0.20 [.008]$	$\pm 0.20 [.008]$
13-18p	$\pm 0.30 [.012]$	$\pm 0.30 [.012]$
19-24p	$\pm 0.40 [.016]$	$\pm 0.40 [.016]$



mat'l. code	surface ASME Y14.5	tolerance ASME Y14.5	projection	product family
ltr	ecn	no	dr	date
D	tolerances unless otherwise specified			title
	angles	$X \pm 0.5$	MM	TERMINAL BLOCK
	$X \pm 1$	$X.X \pm 0.3$	INCH	PLUGGABLE PLUG, BACK SIDE HOOK, W/FLANGE
		$X.XX \pm 0.1$	scale	dwg no
	dr	WENDY CHEN	051810	sheet 5 of 5
	enr	JASON HSU	051810	size
	chr	GARY HSIEH	051810	20020011
	appd	JOSEPH HSIA	051810	A4
sheet index	revision sheet			type
				CUSTOMER Drawing