



Copyright FCI



FCIconnect.com



1 | 2

3 |

4

PRODUCT NUMBER
20020000-XXXXXXLF

20020000- [] [] [] [] [] 0 [] LF

PITCH
C: 3.50 mm
D: 3.81 mm

POLES
02: 2 poles
03: 3 poles
04: 4 poles
24: 24 poles

LF : DENOTED RoHS COMPATIBLE
1 : STANDARD PRODUCT
W/ BOX PACKING

SCREW CODE

CODE	SCREW TYPE	AVAILABILITY
A	-/+	ON REQUEST ONLY
B	-	STANDARD

ALL FLANGE SCREWS ARE ONLY AVAILABLE IN +/- COMBINATION SCREW TYPES.

PROPERTY TABLE			
FCI SERIES NAME	01-350	01-381	
PITCH (mm)	3.50	3.81	
VOLTAGE RATING (VAC)	300	300	
CURRENT RATING (A)	cULus	10	
	VDE	10.5	
APPLICABLE WIRE RANGE (AWG)	1-WIRE	16~26	
	2-WIRE	20	
WIRE CROSS SECTION (mm ²)	SOLID	1-WIRE	1.5
		2-WIRE	0.5
	STRANDED	1-WIRE	1.5
		2-WIRE	0.75
OPENING CONTACT HOUSING(mm ²)	1.6x2.5	1.6x2.5	
WIRE STRIP LENGTH(mm)	6~7	6~7	
TORQUE +/-10% (N-m/Lb-in)	0.34/3.0	0.34/3.0	
SCREW	M2x0.4	M2x0.4	
WITHSTANDING VOLTAGE (kV)	cULus	1.6	
	VDE	2.5	
OPERATING TEMP. (°C)	-40~+115	-40~+115	
POLES AVAILABLE	02~24	02~24	
SAFETY CERTIFICATE			

HOUSING CODE

CODE	COLOR	AVAILABILITY
1	GREEN(RAL 6018/T)	STANDARD
2	BLACK	ON REQUEST ONLY
3	GREY(RAL 7004/P)	ON REQUEST ONLY
4	BLUE(RAL 5015/A)	ON REQUEST ONLY

NOTES:

- MATERIALS
 - 1-1 HOUSING: THERMALPLASTIC RESIN, UL 94V-0 RATED.
 - 1-2 SCREW: STEEL, ZINC PLATED.
 - 1-3 CLAMP: COPPER ALLOY, NICKEL PLATED.
 - 1-4 TERMINAL: COPPER ALLOY, TIN PLATED.
- PRODUCT SPECIFICATION REFER TO FCI GS-12-625.
- PRODUCT PACKING SPECIFICATION REFER TO FCI GS-14-1394.
- FCI, SAFETY CERTIFICATE LOGO AND SERIES NAME TO BE SHOWN ON PRODUCT SURFACE.
- THE PRODUCTS WHERE THE PART NUMBER END IN "LF" MEET THE EUROPEAN UNION DIRECTIVE AND OTHER COUNTRY REGULATIONS AS DESCRIBED IN GS-22-008.

mat'l. code		surface ASME Y14.5	tolerance ASME Y14.5	projection	product family
ltr	ecn no dr	tolerances unless otherwise specified			TERMINAL BLOCK
A	T10-0062 WL	050710	X.±0.5	MM	TERMINAL BLOCK PLUGGABLE, PLUG, SIGNAL, W/FLANGE CONTACT UP SIDE
B	T10-0081 WL	061710	X.X±0.3	INCH	
C	T10-0127 WL	080910	X'±1'	scale	dwg no sheet 1 of 3 size 20020000 A4
D	T10-0155 WL	093010	dr WENDY CHEN	042310	
E	T11-0013 WL	040811	enr JASON HSU	042310	type CUSTOMER Drawing
			chr GARY HSIEH	042310	
			appd JOSEPH HSIA	042310	
sheet index	revision sheet	E 1	E 2	E 3	

form: A4mmXLc

1 |

2 |

PDM: Rev:E 3 | STATUS Released Printed: Apr 21, 2011 4



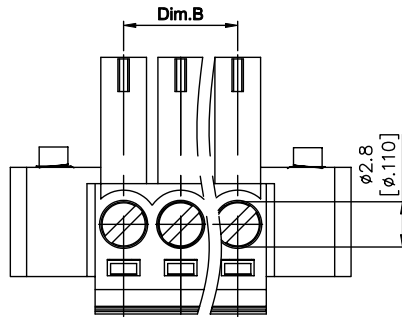
FCIconnect.com

1 | 2

3

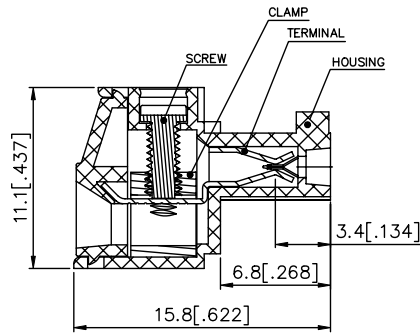
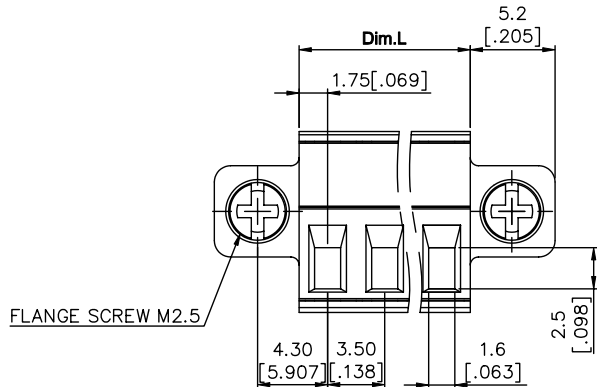
4

PRODUCT NUMBER	SERIES NAME	PITCH
20020000-CXXXXXLF	01-350	3.50 mm



Dim.L = N x 3.5 [.138]
 Dim.B = (N-1) x 3.5 [.138]
 N = number of poles

Poles	DIM.L	DIM.B
2p-6p	± 0.15 [.006]	
7p-12p	± 0.20 [.008]	
13p-18p	± 0.25 [.010]	
19p-24p	± 0.30 [.012]	



mat'l. code	surface ASME Y14.5	tolerance ASME Y14.5	projection	product family	TERMINAL BLOCK
ltr	ecn	no	dr	date	tolerances unless otherwise specified
E					angles
					X. \pm 0.5
					X.X \pm 0.3
					X.XX \pm 0.1
			dr	WENDY CHEN	042310
			enr	JASON HSU	042310
			chr	GARY HSIEH	042310
			appd	JOSEPH HSIA	042310
sheet index	revision	sheet			

title	TERMINAL BLOCK PLUGGABLE, PLUG, SIGNAL, W/FLANGE CONTACT UP SIDE
dwg no	20020000
sheet 2 of 3	size A4
type	CUSTOMER Drawing

form: A4mmXLc

1

2

PDM: Rev:E 3 | STATUS Released Printed: Apr 21, 2011 4

