

# Product Data Sheet



## 1XX Series Std

Replace "XX" with 01 through 36 for number of poles  
**Terminal Block– Closed Back**  
**20 Amps, 250 Volts (AC/DC)**



(6 Pole shown)

### Copper Wire Only

Wire Range with Wire Binding Screw: #12 - #22 AWG

3/8" Centers

**See table below for Wire Classes and torque**

### Electrical Ratings:

- 20A with unprepared wire, (Based on NEC Table 310-16, 75°C columns)
- 20A with Listed ring lug, (Based on NEC Table 310-16, 75°C columns)
- 150 Volts AC/DC (UL 1059 Class C, User Group – General Industrial)
- 250 Volts AC/DC (UL 1059 Class B, User Group – Commercial Appliances)
- Short Circuit Current Rating: 10,000A (Default)
- Approved for Factory and Field Wiring.

### Mechanical Ratings:

- Storage and transportation temperature range: -35°C to 110°C (-31°F to 230°F)\*
- Maximum insulator base temperature: 150°C (302°F)\* UL RTI
- Flammability rating of insulator base: UL 94V-1

\* Use outside these ratings needs to be judged in the end-use application.

### Materials:

- Connector (Contact): Brass, tin plated.
- Insulator base: Phenolic
- Drive screw (Rivet): Stainless steel
- Screw, #6-32 Binder head, Phil-Slot: Steel, nickel plated

### Agency Approvals:

- UL Recognized, UL 1059 Terminal Block Standard, File No. XCFR2.E62806
- CSA Certified, CSA C22.2 No. 158, File No. LR19766
- CE compliant, IEC 60947-7-1
- RoHS Compliant

### Wire Range:

| Wire Size | Torque    | Copper Wire Stranding Classes - Number of Strands |         |         |
|-----------|-----------|---|---------|---------|
|           |           | Solid   | Class B | Class C |
| 12        | 9 in. Lbs | 1   | 7       | 19      |
| 14        | 9 in. Lbs | 1   | 7       | 19      |
| 16        | 9 in. Lbs | 1   | 7       | 19      |
| 18        | 9 in. Lbs | 1   | 7       | 19      |
| 20        | 9 in. Lbs | 1   | 7       | 19      |
| 22        | 9 in. Lbs | 1   | 7       | 19      |

Suggested product mounting hardware: #6 fastener, torque to 10-15 in. lbs.

### ACCESSORIES:

- Printing (for printing options, see Terminal Block Printing)

<http://marathonsp.com/CatalogPDFs/TBPrinting.pdf>

- Marking strips (Sub mounted or Top mounted)

<http://marathonsp.com/CatalogPDFs/TopMountedMS.pdf>

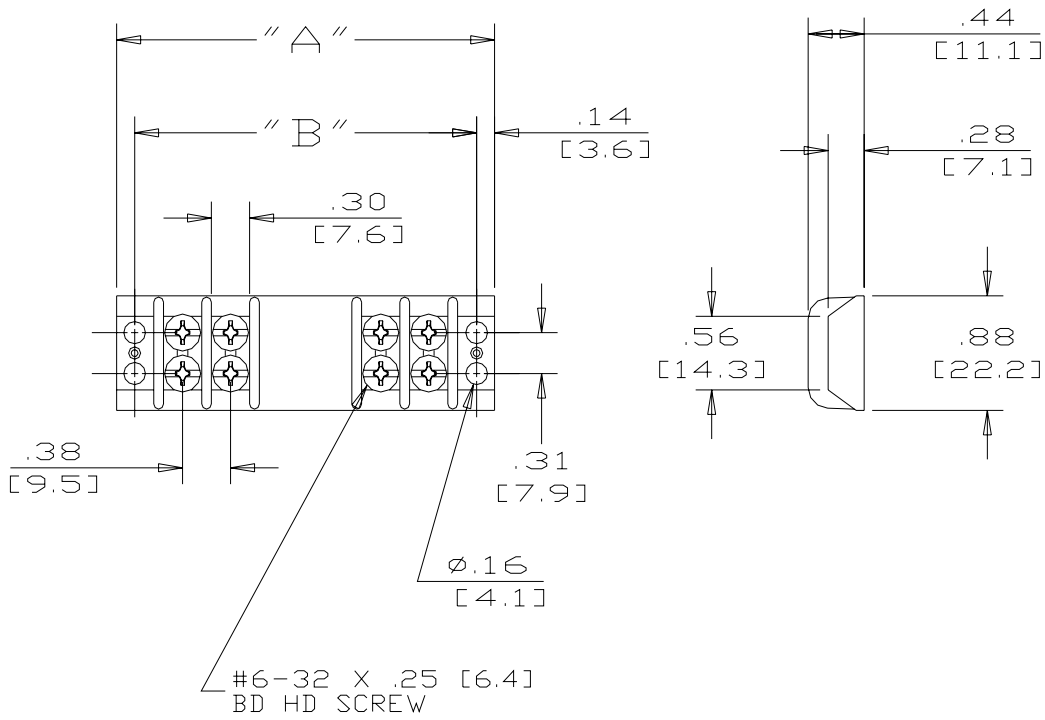
<http://marathonsp.com/CatalogPDFs/SubMounted.pdf>



- Cover – top mounted. Order CW (white) or CB (Black). Can be printed.

<http://marathonsp.com/CatalogPDFs/TopMountedCover.pdf>





| Catalog No | # of Poles | Dimensions |      | X | Catalog No | # of Poles | Dimensions |       |
|------------|------------|------------|------|---|------------|------------|------------|-------|
|            |            | A          | B    |   |            |            | A          | B     |
| 101        | 1          | 1.03       | 0.75 | X | 119        | 19         | 7.78       | 7.50  |
| 102        | 2          | 1.41       | 1.13 | X | 120        | 20         | 8.16       | 7.88  |
| 103        | 3          | 1.78       | 1.50 | X | 121        | 21         | 8.53       | 8.25  |
| 104        | 4          | 2.16       | 1.88 | X | 122        | 22         | 8.91       | 8.63  |
| 105        | 5          | 2.53       | 2.25 | X | 123        | 23         | 9.29       | 9.01  |
| 106        | 6          | 2.91       | 2.63 | X | 124        | 24         | 9.66       | 9.38  |
| 107        | 7          | 3.28       | 3.00 | X | 125        | 25         | 10.04      | 9.76  |
| 108        | 8          | 3.66       | 3.38 | X | 126        | 26         | 10.41      | 10.13 |
| 109        | 9          | 4.03       | 3.75 | X | 127        | 27         | 10.79      | 10.51 |
| 110        | 10         | 4.41       | 4.13 | X | 128        | 28         | 11.17      | 10.89 |
| 111        | 11         | 4.78       | 4.50 | X | 129        | 29         | 11.54      | 11.26 |
| 112        | 12         | 5.16       | 4.88 | X | 130        | 30         | 11.92      | 11.64 |
| 113        | 13         | 5.53       | 5.25 | X | 131        | 31         | 12.29      | 12.01 |
| 114        | 14         | 5.91       | 5.63 | X | 132        | 32         | 12.67      | 12.39 |
| 115        | 15         | 6.28       | 6.00 | X | 133        | 33         | 13.05      | 12.77 |
| 116        | 16         | 6.66       | 6.38 | X | 134        | 34         | 13.42      | 13.14 |
| 117        | 17         | 7.03       | 6.75 | X | 135        | 35         | 13.80      | 13.52 |
| 118        | 18         | 7.41       | 7.13 | X | 136        | 36         | 14.17      | 13.89 |

Top Mounted Hardware is .187" Wide

MM = Dim X 25.4

[WWW.MARATHONSP.COM](http://WWW.MARATHONSP.COM)  
1-419-352-8441

PDS 0238 REV B 8/19/08