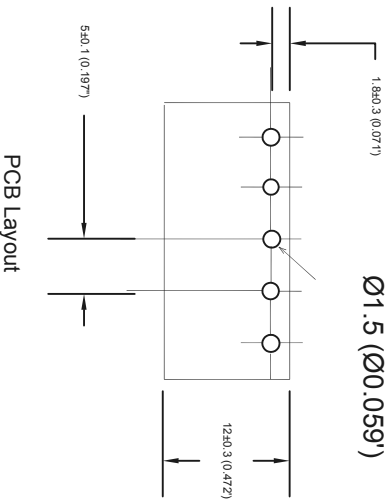


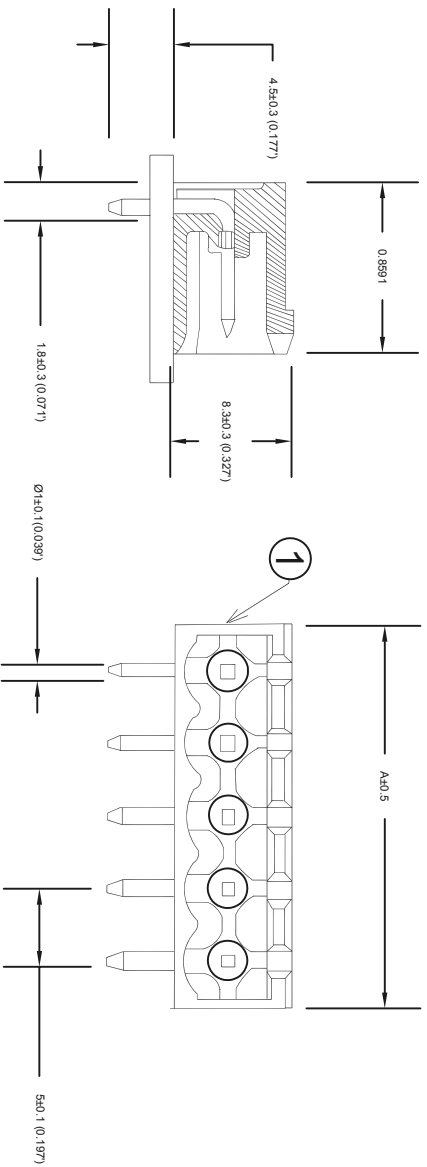
REVISIONS

DCP #	REV	DESCRIPTION	DRAWN	DATE	CHECKD	DATE	APPRVD	DATE
			MRD	18-08-10	JAG	20-08-10	XXX	30-08-10

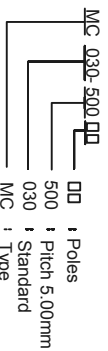
Ø1.5 (Ø0.059")



PCB Layout



Dimensions : Millimeters



RoHS Compliant

Specifications

Current rating : 6amp AC 300V
 Insulation withstands volt : AC2000V min
 Insulation resistance : >2000M Ω DC 500 V
 Operation temperature : -40°c to +105°c

CONFIRMED & ACCEPTED BY:

Material	Plating/Finish	Remarks
1 Insulating body Polyamide 66(U.94V-0)	Tin plated	Green
2 Solder pin Brass		

Poles	A(mm)	A(in)	Poles	A(mm)	A(in)
2	11.60	0.457	15	76.60	3.016
3	16.60	0.654	16	81.60	3.213
4	21.60	0.850	17	86.60	3.409
5	26.60	1.047	18	91.60	3.606
6	31.60	1.244	19	96.60	3.803
7	36.60	1.441	20	101.60	4.000
8	41.60	1.638	21	106.60	4.197
9	46.60	1.835	22	111.60	4.394
10	51.60	2.031	23	116.60	4.591
11	56.60	2.228	24	121.60	4.787
12	61.60	2.425	25	126.60	4.984
13	66.60	2.622			
14	71.60	2.819			

Dimensions : Inches (mm)

Part Number Table

Description	Part Number
Pluggable Header	ME030-50003

TOLERANCES:

UNLESS OTHERWISE SPECIFIED, DIMENSIONS ARE FOR REFERENCE PURPOSES ONLY.

DRAWN BY:

DATE:

MRD

18-08-10

CHECKED BY:

DATE:

JAG

20-08-10

APPROVED BY:

DATE:

XXX

30-08-10

DRAWING TITLE:

Pluggable Header

SIZE DWG. NO.

A

XXX

ELECTRONIC FILE

04R7054 ME030-50003

REV

04R7054 ME030-50003

SCALE: NTS

U.O.M.: Millimeters

SHEET:

1 OF 1