



ALL RIGHTS RESERVED. NO PORTION OF THIS PUBLICATION, WHETHER IN WHOLE OR IN PART CAN BE REPRODUCED WITHOUT THE EXPRESS WRITTEN CONSENT OF SPC TECHNOLOGY.

SPC-F005.DWG

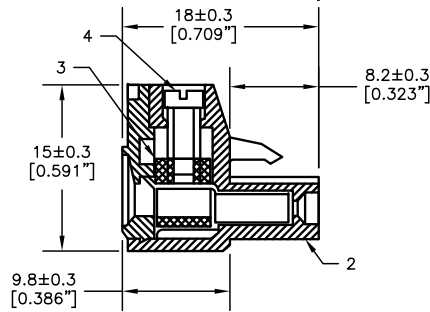
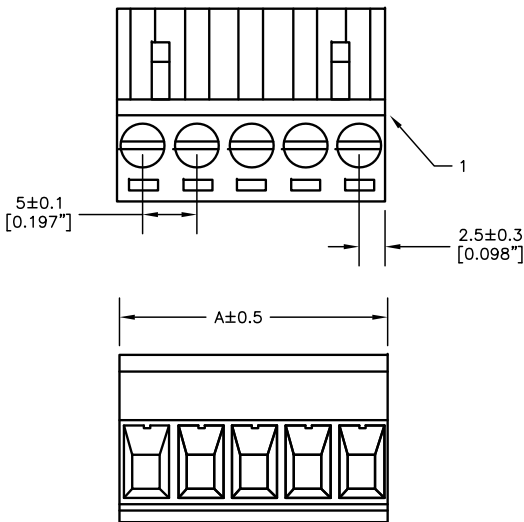
REVISIONS

DOC. NO. SPC-F005 * Effective: 7/8/02 * DCP No: 1398

DCP #	REV	DESCRIPTION	DRAWN	DATE	CHECKD	DATE	APPRVD	DATE
2000	A	RELEASED	JN	07/22/09	JN	07/22/09	JN	07/22/09

Description:

- Current Rating: 16Amp AC300V
- Insulation withstands Volt: AC2000V min.
- Insulation resistance: >2000MΩ DC500V
- Operating temperature: -40°C to +105°C
- Wire strip length: 4mm~5mm
- Wire range: 12~24 AWG
- Screw torque: 7.0 lb-inch



Mfg. P/N	Number of Poles	A (mm)	A (inch)
MC24374	2	10	0.394
MC24376	4	20	0.787
MC24377	5	25	0.984
MC24378	6	30	1.181

Item	Material	Plating/Finish
1	Insulating Body, Polyamide 66(UL94V-0)	Green
2	Contact, Phosphor Bronze	Tin Plated
3	Cage clamp, Brass	Ni Plated
4	Screw, Steel	Zinc+Cr ^+3



DISCLAIMER: ALL STATEMENTS AND TECHNICAL INFORMATION CONTAINED HEREIN ARE BASED UPON INFORMATION AND/OR TESTS WE BELIEVE TO BE ACCURATE AND RELIABLE. SINCE CONDITIONS OF USE ARE BEYOND OUR CONTROL, THE USER SHALL DETERMINE THE SUITABILITY OF THE PRODUCT FOR THE INTENDED USE AND ASSUME ALL RISK AND LIABILITY WHATSOEVER IN CONNECTION THEREWITH.

TOLERANCES:
UNLESS OTHERWISE SPECIFIED, DIMENSIONS ARE FOR REFERENCE PURPOSES ONLY.

DRAWN BY:	DATE:
JN	07/22/09
CHECKED BY:	DATE:
JN	07/22/09
APPROVED BY:	DATE:
JN	07/22/09

DRAWING TITLE:			
Header With Flange			
SIZE	DWG. NO.	ELECTRONIC FILE	REV
A	Ta-1157	Ta-1157.dwg	A
SCALE: NTS	U.O.M.: INCHES [mm]	SHEET: 1 OF 1	