



ALL RIGHTS RESERVED. NO PORTION OF THIS PUBLICATION, WHETHER IN WHOLE OR IN PART CAN BE REPRODUCED WITHOUT THE EXPRESS WRITTEN CONSENT OF SPC TECHNOLOGY.

SPC-F005.DWG

REVISIONS

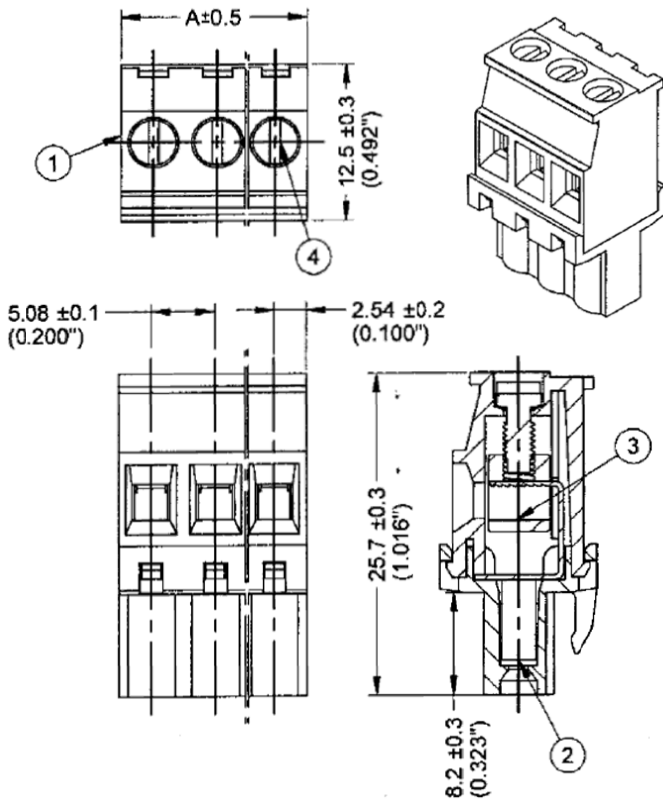
DOC. NO. SPC-F005 * Effective: 7/8/02 * DCP No. 1398

DCP #	REV	DESCRIPTION	DRAWN	DATE	CHECKD	DATE	APPRVD	DATE
2075	A	RELEASED	JYC	3/2/10	JYC	3/2/10	JYC	3/2/10



SPECIFICATIONS

- Current Rating: 16A AC300V
- Insulation Withstands Volt: AC2000 min
- Insulation Resistance: >2000MΩ DC500V
- Operation Temperature: -40°C to +105°C



Part Number	Poles	A
MC210-50802	2	10.16
MC210-50803	3	15.24
MC210-50804	4	20.32
MC210-50805	5	25.40
MC210-50806	6	30.48
MC210-50807	7	35.56
MC210-50808	8	40.64
MC210-50810	10	50.80
MC210-50811	11	55.88
MC210-50812	12	60.96

	Material	Plating/Finish	Remark
1	Insulating Body	Polyamide 66(UL94V-0)	Green
2	Contact	Phosphor Bronze	Tin Plated
3	Cage Clamp	Brass	Ni Plated
4	Screw	Steel	Ni Plated

DISCLAIMER:
ALL STATEMENTS AND TECHNICAL INFORMATION CONTAINED HEREIN ARE BASED UPON INFORMATION AND/OR TESTS WE BELIEVE TO BE ACCURATE AND RELIABLE. SINCE CONDITIONS OF USE ARE BEYOND OUR CONTROL, THE USER SHALL DETERMINE THE SUITABILITY OF THE PRODUCT FOR THE INTENDED USE AND ASSUME ALL RISK AND LIABILITY WHATSOEVER IN CONNECTION THEREWITH.

TOLERANCES:
UNLESS OTHERWISE SPECIFIED, DIMENSIONS ARE FOR REFERENCE PURPOSES ONLY.

DRAWN BY:	DATE:
Jerrold Chen	3/2/2010
CHECKED BY:	DATE:
Jerrold Chen	3/2/2010
APPROVED BY:	DATE:
Jerrold Chen	3/2/2010

DRAWING TITLE:			
Terminal Block			
SIZE	DWG. NO.	ELECTRONIC FILE	REV
A	Ta-1219	Ta-1219.dwg	A
SCALE: NTS		U.D.M.: mm (INCHES)	SHEET: 1 OF 1