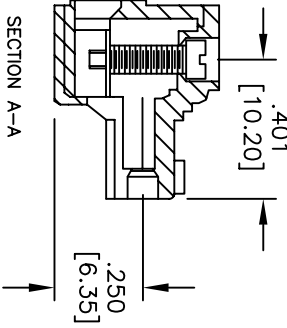
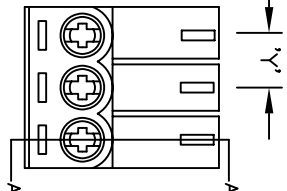
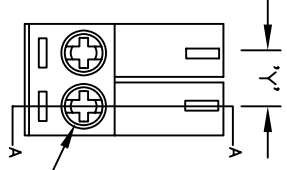


Rev	AWO #	Description	Date	Appr
-		RELEASED	3/17/04	

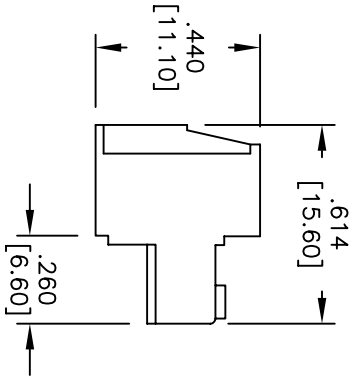
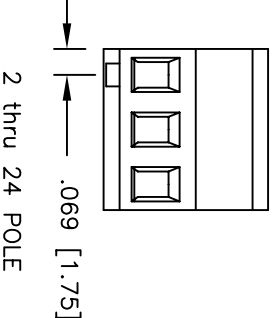
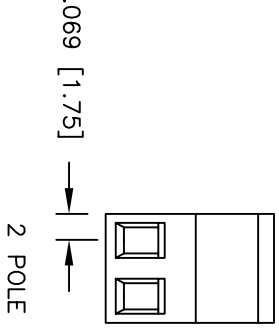
APPROVED: _____
 DATE: _____ TITLE: _____

AVAILABLE PITCH
 .138 [3.50] .150 [3.81] .276 [7.00] .300 [7.62]



γ' X No
of POLES

γ' X No
of POLES



REPLACE γ' WITH PITCH
 A = .138 [3.50] B = .150 [3.81] E = .276 [7.00]
 G = .300 [7.62]

SPECIFICATIONS:

Material:
 Insulator: Nylon, rated UL 94V-0
 Insulator color: Green
 Metal Housing: Brass, Tin Plated
 Wire Guard: Stainless Steel
 Screw: Steel, Zinc Plated.

Electrical:
 Operation voltage: 250 VAC max
 Current rating: 15 Amps max per Pole
 Insulation resistance: 5000 Mohms min @ 1000V
 Dielectric withstanding voltage: 1500 VAC for 1 minute
 Wire Range: 12-24 Awg.

Mechanical:
 Torque: 5 Kg.cm (max.)
Environmental:
 Operating temperature: -55°C to +105°C
 Lead free, RoHS compliant.



ADAM TECH

909 Rahway Avenue, Union, NJ 07083
 Phone: 908-687-5000 Fax: 908-687-5710

**PLUGABLE EURO BLOCK
 MATEABLE 2 AND 3 POLE**

UNLESS OTHERWISE SPECIFIED ALL DIMENSIONS ARE MM [INCHES] TOLERANCES: EXCEPT AS NOTED	
.X ± .10	ØX ± .10
.XX ± .020	ØXXX ± .015
.XXX ± .015	ØXXX ± .010
APPROVALS	DATE
DRAWN	SLS
CHECKED	
APPROVED	

TITLE	PLUGABLE EURO BLOCK MATEABLE 2 AND 3 POLE
SIZE	X
PART NO.	EBK-XX-X
SCALE	NIS
SHEET	1 OF 1
REV.	

6 5 4 3 2 1